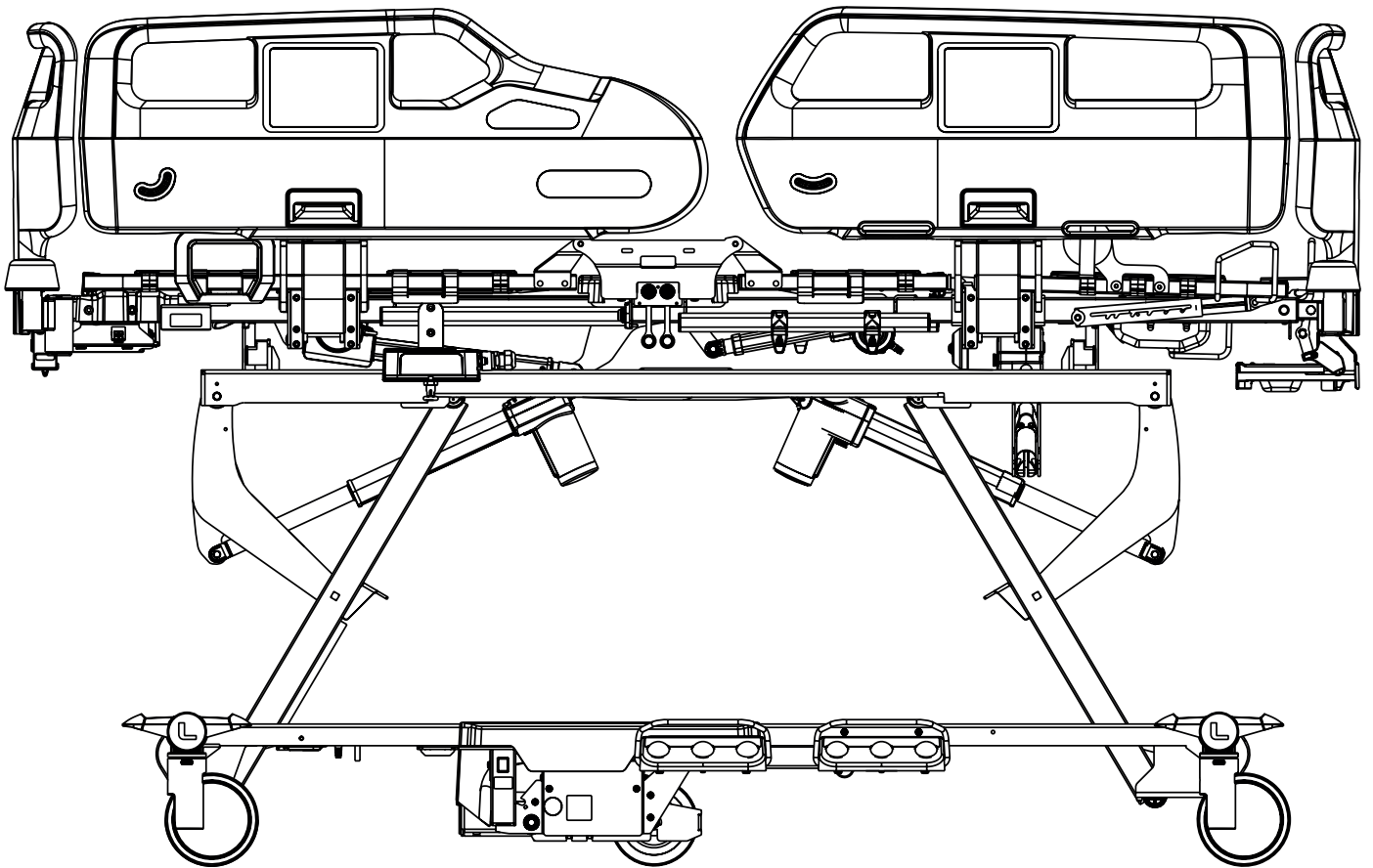


Instructions for Use and Technical Description



Accessories

Essenza[®] 300



D9U00AEZ3-0101

Version: 02

Publication Date: 2024-01

Manufacturer:

L I N E T spol. s r.o.
Želevčice 5
274 01 Slaný

Tel.: +420 312 576 111
Fax: +420 312 522 668

E-mail: info@linet.cz
<http://www.linet.com>
Service department: service@linetgroup.com

Accessories

Essenza® 300

Author: L I N E T, s.r.o.
Related links: www.linet.com

D9U00AEZ3-0101

Version: 02
Publication Date: 2024-01

Copyright © L I N E T, s.r.o., 2024
Translation © L I N E T, s.r.o., 2024
All rights reserved.

All trademarks and brands are the property of the appropriate owners. The manufacturer reserves the right to changes in the contents of the instructions for use that relate to the product's technical regulations. It is for this reason that the contents of the instructions for use may indicate differences from the current manufacture of the product. Reproduction, also excerpts, only with prior permission of the publisher. Subject to changes due to technical developments. All technical data are rated data and are subject to construction and manufacturing tolerances.

Table of Contents

1 Symbols and Definitions	6	4.35 Partial Traction Frame MP for Foot Board with Two Safety Locks	74
1.1 Warning Notices	6	4.36 Cross Infusion Pump Holder	76
1.1.1 Types of Warning Notices	6	5 Disposal	77
1.1.2 Structure of Warning Notices	6	5.1 Environment Protection	77
1.2 Instructions	6	5.2 Disposal	77
1.3 Lists	6	5.2.1 Within Europe	77
1.4 Symbols on the Package	7	5.2.2 Outside Europe	77
1.5 Symbols on the accessories	8		
1.6 Abbreviations	13		
2 Safety Instructions for Essenza 300 with accessories	14		
3 Environment Conditions	18		
4 Accessories	19		
4.1 Lifting Pole	25		
4.2 Extended Lifting Pole	27		
4.3 Triangular Holder for Lifting Pole	29		
4.4 Infusion Holder for Lifting Pole	29		
4.5 Infusion Pump Holder	30		
4.6 Infusion Bottle Basket	30		
4.7 Telescopic Infusion Stand	31		
4.8 Monitor Shelf	32		
4.9 Writing Shelf	34		
4.10 Utility Shelf	35		
4.11 Oxygen Bottle Holder	37		
4.11.1 Vertical Oxygen Bottle Holder	37		
4.11.2 Horizontal Oxygen Bottle Holder for Plastic Head Board	38		
4.11.3 Horizontal Oxygen Bottle Holder for HPL Head Board	38		
4.12 Urinary Bag Holder	39		
4.13 Urinary Bottle Holder	40		
4.13.1 Urinary Bottle Holder for Plastic Siderails	40		
4.13.2 Urinary Bottle Holder for Telescopic Siderails	40		
4.13.3 Urinary Bottle Holder for Collapsible Siderails	41		
4.14 Redon Bottle Holder	41		
4.15 Crutch Holders	42		
4.15.1 Crutch Holder for Plastic Foot Board	42		
4.15.2 Crutch Holder for HPL Foot Board	44		
4.16 Towel Holder	46		
4.16.1 Towel Holder for Plastic Foot Board	46		
4.16.2 Towel Holder for HPL Foot Board	46		
4.17 Name Holder	47		
4.17.1 Name Holder for Plastic Foot Board	47		
4.17.2 Name Holder for HPL Foot Board	47		
4.18 Chart Holder	48		
4.18.1 Chart Holder for Plastic Foot Board	48		
4.18.2 Chart Holder for HPL Foot Board	48		
4.19 Holder for Small Accessories	49		
4.20 Hook for Small Accessories	49		
4.21 Extender for Telescopic Siderails	50		
4.22 Extender for Collapsible Siderails	52		
4.23 Handset Control Panel Holders	54		
4.24 Transparent Accessory Box	55		
4.25 Positioning Cushion	55		
4.26 Telescopic Siderail Covers	56		
4.27 Plastic Siderail Covers	57		
4.28 SafeSense 3	59		
4.29 Traction Frame Z	62		
4.30 Reading Lamp	64		
4.31 Traction Frame D Holder for Foot Board with One Safety Lock	66		
4.32 Traction Frame T73	68		
4.33 Traction Frame T74	70		
4.34 Partial Traction Frame MP for Foot Board with One Safety Lock	72		

List of Figures

Fig. Wash Label of the Telescopic Siderail Cover and Plastic Siderail Cover12

Fig. Lifting Pole in the bushing at head end of the mattress support platform25

Fig. Extended Lifting Pole in the Accessory Adaptor at bed head end25

Fig. Bushings for the Standard Lifting Pole (1) at head end of the mattress support platform26

Fig. Extended Lifting Pole27

Fig. Standard Lifting Pole27

Fig. Bushings for the Extended Lifting Pole (1) at head end of the mattress support platform28

Fig. Accessory Adaptors for the Extended Lifting Pole (2) in the bed undercarriage28

Fig. Triangular Holder 4ROTGERSG700-229

Fig. Infusion Holder 4MAPL00N100129

Fig. Extendable Triangular Holder 4ROTGNR100GR-229

Fig. Infusion Bottle Basket30

Fig. Infusion Pump Holder at bed head end30

Fig. S-shaped Infusion Stand (4MA45MNA0003)31

Fig. Infusion Stand with receptacle for cannulas (4PKV26107200)31

Fig. Infusion Stand in the bushing at head end of the mattress support platform32

Fig. S-shaped Infusion Stand in the bushing at head end of the mattress support platform32

Fig. Monitor Shelf placed in bed foot end corner bumpers33

Fig. Manipulation with Monitor Shelf Control Lever (1)33

Fig. Description of the Monitor Shelf33

Fig. Writing Shelf on the HPL Foot Board34

Fig. Writing Shelf Board34

Fig. Utility Shelf on the Foot Board35

Fig. Placement of plastic container to wire construction of the Utility Shelf36

Fig. Plastic container in the non-working position (1 - release lever of the plastic container)36

Fig. Two Vertical Oxygen Bottle Holders on the Plastic Head Board37

Fig. Horizontal Oxygen Bottle Holder on the Plastic Head Board38

Fig. Horizontal Oxygen Bottle Holder under the HPL Foot Board39

Fig. Urinary Bag Holder hanging from the hook on the Accessory Rail39

Fig. Urinary Bottle Holder hanging from the right window in the Plastic Foot Siderail40

Fig. Urinary Bottle Holder between the Telescopic Siderails40

Fig. Urinary Bottle Holder in the hook on the Accessory Rail41

Fig. Redon Bottle Holder on the Accessory Rail under the Backrest of the bed with Plastic Siderails41

Fig. Crutch Holder 110207000000042

Fig. Crutch placement to the Crutch Holder 110207000000043

Fig. Crutch Holder 1102070000000 on the Plastic Foot Board43

Fig. Crutch Holder 11021100A000044

Fig. Crutch placement to the Crutch Holder 11021100A000044

Fig. Crutch Holder 11021100A0000 on the HPL Foot Board45

Fig. Towel Holder on the Plastic Foot Board46

Fig. Towel Holder on the HPL Foot Board46

Fig. Name Holder on the Plastic Foot Board47

Fig. Name Holder on the HPL Foot Board47

Fig. Chart Holder on the Plastic Foot Board48

Fig. Chart Holder on the HPL Foot Board48

Fig. Holder for Small Accessories on the Plastic Foot Board49

Fig. Hook for Small Accessories on the Telescopic Foot Siderail49

Fig. Extender for Telescopic Siderails50

Fig. Description of the locking mechanism of the Extender for Telescopic Siderails50

Fig. Extender for Telescopic Siderails in correct position on the siderail bar (the position with locking mechanisms on the outside of the Telescopic Siderail)51

Fig. Extender for Collapsible Siderails52

Fig. Extender for Collapsible Siderails in correct position on the siderail bar (the position with the rosette nuts on the outside of the Collapsible Siderail)53

Fig. Handset Control Panel Holders on the head Telescopic Siderail54

Fig. Transparent Accessory Box on the Plastic Head Board55

Fig. Positioning Cushion55

Fig. Transparent Accessory Box55

Fig. Placement of the Telescopic Siderail Covers on the Telescopic Siderails56

Fig. Placement of the Plastic Siderail Covers on the Plastic Siderails57

Fig. Positions of the Plastic Siderail Covers58

Fig. Essenza 300 bed without Lateral Tilt with SafeSense 360

Fig. Essenza 300 bed with Lateral Tilt with SafeSense 361

Fig. Positions for Traction Frame Z (1) in the case of the bed with corner bumpers with accessory bushings62

Fig. Positions for Traction Frame Z (1) and for two Adaptors for Traction Frame Z (2) in the case of the bed with corner bumpers without accessory bushings63

Fig. Traction frame Z without two Adaptors for Traction Frame Z	63
Fig. Reading Lamp	64
Fig. Accessory Adaptors for Reading Lamp (1) in the bed undercarriage	65
Fig. Bushings for Reading Lamp (2) at head end of the mattress support platform	65
Fig. Positions of the Traction Frame D Holder for Foot Board with One Safety Lock (1) on the bed with corner bumpers with accessory bushings	66
Fig. Placement of the Traction Frame D onto the Traction Frame D Holder	67
Fig. Positions for Traction Frame T73 (1) on the bed with corner bumpers with accessory bushings	68
Fig. Traction frame T73	69
Fig. Positions for Traction Frame T74 (1) on the bed with corner bumpers without accessory bushings	70
Fig. Traction frame T74	71
Fig. Positions for Partial Traction Frame MP for Foot Board with One Safety Lock (1) on the bed with corner bumpers with accessory bushings	72
Fig. Partial Traction Frame MP for Foot Board with One Safety Lock	73
Fig. Positions for Partial Traction Frame MP for Foot Board with Two Safety Locks (1) on the bed with corner bumpers without accessory bushings	74
Fig. Partial Traction Frame MP for Foot Board with Two Safety Locks	75
Fig. Bushings for the Cross Infusion Pump Holder (1)	76
Fig. Infusion Pump Holder	76

1 Symbols and Definitions

1.1 Warning Notices

1.1.1 Types of Warning Notices

Warning notices are differentiated by the type of danger using the following signal words:

- ▶ **CAUTION** warns about the risk of material damage.
- ▶ **WARNING** warns about the risk of physical injury.
- ▶ **DANGER** warns about the risk of fatal injury.

1.1.2 Structure of Warning Notices



DANGER!
Dangerous electricity!
▶ Measures to avoid the risk.



WARNING!
Type and source of risk!
▶ Measures to avoid the risk, if necessary.



CAUTION!
Type and source of risk!
▶ Measures to avoid the risk, if necessary.

1.2 Instructions

Structure of instructions:


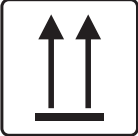



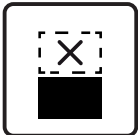




- ▶ Perform this step.
Results, if necessary.

1.3 Lists









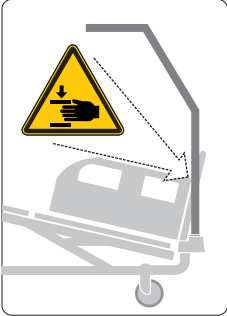
Structure of bulleted lists:




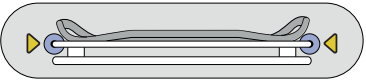

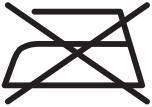

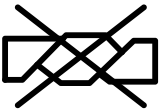


- List level 1
 - List level 2
 - List level 3






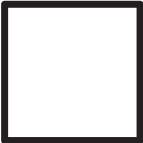



1.4 Symbols on the Package






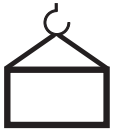




	<p>FRAGILE, HANDLE WITH CARE</p>
	<p>THIS WAY UP</p>
	<p>KEEP DRY (PROTECT FROM HUMIDITY)</p>
	<p>PAPER RECYCLING SYMBOL</p>
	<p>DO NOT USE HAND TRUCK HERE</p>
	<p>DO NOT STACK DURING STORAGE</p>
	<p>OVERSEAS PACKAGE: STACKING LIMIT BY NUMBER (4 PACKAGES FOR STORAGE)</p>
	<p>OVERSEAS PACKAGE: STACKING LIMIT BY NUMBER (2 PACKAGES FOR TRANSPORT)</p>
	<p>READ INSTRUCTIONS FOR USE</p>
	<p>DO NOT POLLUTE THE ENVIRONMENT</p>


1.5 Symbols on the accessories







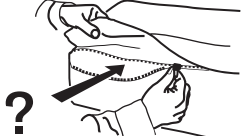
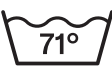






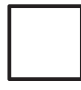
	<p>SAFE WORKING LOAD</p>
	<p>WARNING AGAINST CRUSHING OR TRAPPING</p>
	<p>MONITOR SHELF: MAXIMUM LOAD OF THE MONITOR SHELF 15 KG, PLACE MONITOR ON THIS SIDE OF THE MONITOR SHELF</p>
	<p>MONITOR SHELF: MAXIMUM LOAD OF THE MONITOR SHELF 15 KG, DO NOT PLACE MONITOR ON THIS SIDE OF THE MONITOR SHELF</p>
	<p>CE MARKING (PRODUCT NORMATIVELY HARMONIZED FOR EUROPEAN ECONOMIC AREA)</p>
	<p>MANUFACTURER</p>
	<p>MANUFACTURING DATE</p>
	<p>REFERENCE NUMBER (PRODUCT TYPE DEPENDING ON CONFIGURATION)</p>
	<p>LIFTING POLE: RISK OF GETTING YOUR HAND TRAPPED BETWEEN LIFTING POLE AND BED DURING TRENDELENBURG TILT POSITIONING WITH LIFTING POLE IN THE UNDERCARRIAGE ACCESSORY ADAPTOR</p>

	<p>SERIAL NUMBER</p>
	<p>MEDICAL DEVICE (COMPATIBLE WITH MEDICAL DEVICE REGULATION)</p>
	<p>BATCH NUMBER</p>
	<p>MONITOR SHELF: INSTRUCTIONS FOR CORRECT MONITOR SHELF PLACEMENT</p>
	<p>READ INSTRUCTIONS FOR USE</p>
	<p>DO NOT IRON</p>
	<p>DO NOT USE A CLEANER CONTAINING PHENOL</p>
	<p>DO NOT WRING</p>
	<p>REGULARLY INSPECT THE INSIDE OF THE COVER FOR CONTAMINATION</p>
	<p>MACHINE WASH AT 71°C WITH DETERGENT</p>

	<p>TUMBLE DRY ON LOW HEAT SETTING (MAX. 60°C)</p>
	<p>PROFESSIONAL CHEMICAL CLEANING (MODERATE PROCEDURE)</p>
	<p>RINSE WITH WARM WATER AND NEUTRAL DETERGENT (INITIAL TEMPERATURE OF HOT WATER SHOULD NOT EXCEED 50°C)</p>
 <p>NaClO 1,000 ppm max</p>	<p>DISINFECT USING SOLUTION NO GREATER THAN 1,000 PPM OF CHLORINE</p>
	<p>RINSE WITH WARM WATER</p>
	<p>NATURAL DRYING</p>
	<p>DO NOT BLEACH</p>
<p>BS 7175</p>  <p>5 MEDIUM HAZARD</p>	<p>MATTRESS CONFORMS TO BS7177: 2008 FOR MEDIUM HAZARD</p>
	<p>POSITIONING CUSHION: MAXIMUM WASHING TEMPERATURE 40°C</p>

	<p>CONSULT INSTRUCTIONS FOR USE OR CONSULT ELECTRONIC INSTRUCTIONS FOR USE</p>
	<p>DISTRIBUTOR</p>
	<p>ONLY SUITABLE FOR INDOOR USE</p>
	<p>CAUTION SIGN</p>
	<p>GENERAL WARNING SIGN</p>
	<p>ACCESSORY MASS</p>
	<p>APPLIED PARTS TYPE B</p>
	<p>EAC MARKING (EURASIAN CONFORMITY)</p>
	<p>UK CONFORMITY ASSESSED (UKCA) MARKING (PRODUCT NORMATIVELY HARMONIZED FOR GREAT BRITAIN ECONOMIC AREA)</p>
	<p>AUTHORIZED REPRESENTATIVE IN GREAT BRITAIN</p>

<table border="1"> <tr> <td>CH</td> <td>REP</td> </tr> </table>	CH	REP	<p>AUTHORIZED REPRESENTATIVE IN SWITZERLAND</p>
CH	REP		
	<p>EARTH GROUND</p>		

	<p>BS 7175  5 MEDIUM HAZARD</p>	   	
	 	<p>1  + </p> <p>2  NaClO 1,000 ppm max</p> <p>3 </p> <p>4 </p>	

D7001340D

Fig. Wash Label of the Telescopic Siderail Cover and Plastic Siderail Cover

1.6 Abbreviations

AC (~)	Alternating Current
ALT	Automatic Lateral Therapy
CE	European Conformity
CPR	Cardiopulmonary Resuscitation
dB	Sound Intensity Unit
DC (---)	Direct Current
CUC	Configuration number
EMC	Electromagnetic Compatibility
FET	Field-effect transistor
HF	High Frequency
HPL	High Pressure Laminate
ICU	Intensive Care Unit
INT.	Duty Cycle
IP	Ingress Protection
IV	Intravenous
LCD	Liquid Crystal Display
LED	Light Emitting Diodes
ME	Medical Electrical (Equipment)
ON	Activation
OFF	Deactivation
ppm	Parts per million, millionth (1000 ppm = 0,1%)
REF	Reference Number (product type depending on configuration)
SCU	System Control Unit (integrated mattress)
SN	Serial Number
SWL	Safe Working Load
UDI	Unique Device Identification (for medical devices)
USB	Universal Serial Bus
WEEE	Waste Electrical and Electronic Equipment

2 Safety Instructions for Essenza 300 with accessories



WARNING!

Risk of injury due to incorrect use!

- ▶ Essenza 300 bed should be left in its lowest position when the patient is unattended in order to reduce risk of injury due to falls!



WARNING!

Risk of injury due to incorrect use!

- ▶ Siderails of Essenza 300 should be located in the „up“ position to reduce the risk of the patient accidentally slipping or rolling off the mattress!



WARNING!

Risk of injury due to incorrect use!

- ▶ Lateral Tilt of the Essenza 300 with Lateral Tilt is a positioning function intended for trained medical personnel only. The use of the Lateral Tilt, including its angle of adjustment, must be preceded by an evaluation of the patient's condition by the staff. This evaluation must take into account all risks resulting from the physical and mental state of the patient, especially the risk of fall, and loss of bed stability.



WARNING!

Ensure any button of the control elements is not involuntarily pressed by persons, by the bed accessories, by the mattress or by the other objects!

- ▶ To avoid unintended activation of moving parts during any use of the bed, always check that none of the buttons on the control elements of the bed is pressed!
- ▶ Always ensure any control panel keyboard is not covered by anything, loaded by anything or pressed by anything!



WARNING!

Risk of injury due to incorrect use!

- ▶ Staff expert assessment is needed to consider all individual cases of contraindications!



WARNING!

Risk of trapping or squeezing because of patient's body constitution disproportionate to the size of mattress support platform!



WARNING!

Risk of injury due to incorrect use!

- ▶ Certain bed positions are not suitable for specific diagnosis/medical conditions. Fowler position is not suitable for spinal cord injuries! Trendelenburg position is not suitable for patients with higher intracranial pressure!



WARNING!

Any serious incident that has occurred in relation to the device should be reported to the manufacturer and the competent authority of the Member State in which the user and/or patient is established!



WARNING!

This medical device is not intended for oxygen enriched environment!



WARNING!
This medical device is not intended for use with flammable substances!



WARNING!
This medical device is not portable medical electrical equipment!



WARNING!
Patient is allowed to use selected control elements only if hospital personnel had assessed that the patient's physical and psychological state is in accordance with use of them and only if the hospital personnel had trained the patient in accordance with the instructions for use!



WARNING!
An additional multiple socket-outlet or extension cord shall not be connected to the medical electrical system of Essenza 300.



WARNING!
Inappropriate handling of the power supply cord of Essenza 300, e. g. by kinking, shearing or other mechanical damages is hazardous!



WARNING!
During specific investigations or treatments, the significant risks of reciprocal interference posed by Essenza 300 (ME equipment) may occur.



WARNING!
To avoid the risk of electric shock, this equipment must only be connected to a supply mains with protective earth.



WARNING!
Incompatible siderails and mattresses can cause an entrapment hazard!



WARNING!
Incompatible mattresses can create hazards!



WARNING!
The bed is intended for one adult.
▶ Follow the Intended use chapter.



WARNING!

When routing cables from other equipment in the Essenza 300 bed avoid squeezing those between parts of the Essenza 300 bed!



WARNING!

No modification of this equipment is allowed.
Do not modify this equipment without authorization of the manufacturer.



WARNING!

If this Essenza 300 medical bed (ME equipment) is modified, appropriate inspection and testing must be conducted to ensure continued safe use of the equipment.



WARNING!

Only authorised and trained person using an appropriate tool is allowed to change fuses, accumulators, control units and power supplies!



WARNING!

Make sure the duty cycle (2 min ON/18 min OFF) is not exceeded during bed positioning!



WARNING!

No part of the Essenza 300 ME equipment shall be serviced or maintained while in use with a patient!



WARNING!

Patient is allowed to use selected control elements of the ME equipment unless servicing and maintenance of the ME equipment is performed!



WARNING!

Avoid collisions of the accessories reaching above the bed Head Board or the bed Foot Board with things above the bed (e.g. doorframe)!

Additional Instructions for correct use:

- ▶ Follow the instructions for use carefully.
- ▶ Use the bed exclusively if it is in perfect working order.
- ▶ If necessary, check the bed functions daily or at each shift change.
- ▶ Ensure any user has read and understood this manual completely before operating the product.
- ▶ Use the bed exclusively with the correct mains supply.
- ▶ Ensure that the bed is operated exclusively by qualified personnel who have been trained according to the instructions for use.
- ▶ Ensure the bed is operated by qualified personnel trained in using the bed in accordance with the instructions for use by manufacturer or by person approved by the manufacturer, eventually by authorized representative or by person approved by the authorized representative.
- ▶ Ensure that the patient (health permitting) has been informed about the operation of the bed and all applicable safety instructions.
- ▶ Contact service department of the manufacturer immediately to let it replace any damaged parts by the original spare parts.
- ▶ Move the bed exclusively on even, hard-surfaced floors.
- ▶ Replace any damaged parts immediately with original spare parts.
- ▶ Ensure that maintenance and installation are performed exclusively by qualified personnel who have been trained by the manufacturer.
- ▶ Before peak loads or unavoidable excess loads (CPR), place Mattress Support Platform to the lowest position.
- ▶ Ensure that only one adult patient lies on the bed at any time.
- ▶ Take care to avoid injuries or squeezing when operating moving parts.
- ▶ When using lifting pole or infusion stand, ensure that nothing will be damaged when you move or adjust the bed.
- ▶ Brake the castors when the bed is occupied.
- ▶ Keep the Mattress Support Platform in the lowest position when the patient is unattended by healthcare personnel in order to minimize risk of patient falls.
- ▶ Ensure that siderails are operated exclusively by healthcare personnel.
- ▶ Never use the bed in areas where there is a hazard of explosion.
- ▶ Enable or disable functions on control elements as appropriate for the patient's physical and mental state. Afterwards ensure the lock function was used as required.
- ▶ Ensure that parts of the bed intended for movement are not blocked.
- ▶ Never handle the mains plug with wet hands.
- ▶ Disconnect the product from the mains exclusively by pulling the mains plug.
- ▶ When pulling the mains plug, always hold the plug, not the cable.
- ▶ Position the mains cable so that there are no loops or kinks in the cable. Protect the cable from mechanical wear and tear.
- ▶ Improper handling of mains cable can cause an electric shock hazard, other serious injuries or damage to the integrated mattress system.
- ▶ Ensure that the stipulated duty cycle of motor is not exceeded.
- ▶ To change fuses or cables contact service organisation authorized by manufacturer.
- ▶ To prevent failures, use exclusively the manufacturer's original accessories and mattresses.
- ▶ Ensure that the stipulated safe working load is not exceeded.
- ▶ If the patient's condition could lead to an entrapment, leave the mattress support platform in the flat position whilst unattended.
- ▶ Adjust bed height when transporting the bed in order to facilitate overcoming possible obstacles.
- ▶ Do not exceed maximum load of 80 kg for mattress support platform extension.
- ▶ Do not hang anything on any cable.
- ▶ Do not modify bed and its components without the manufacturer's approval.
- ▶ Do not exceed the maximum patient weight limit (see Mechanical Specifications).
- ▶ Do not use the bed in the case its parts have been removed unless these parts are designed to be removed.
- ▶ To avoid injury or crushing, take extra caution when operating any moving parts of the bed.
- ▶ Never use the mattress replacement system compatible with the Essenza 300 bed near radiators or other heat sources.
- ▶ Select a suitable location for the placement of bed accessories and other objects to prevent involuntary activation of buttons or controls which may result in the adjustment of bed positioning.
- ▶ Never place any accessories or Handset Control Panel on the siderails where keyboards are located.
- ▶ After each emergency situation always check if any of the control elements is not involuntarily pressed by the bed accessories or by the mattress.
- ▶ To avoid unintended activation of moving parts during any use of the bed always check that none of the control elements of the bed is pressed by persons, mattress or other objects.
- ▶ When adjusting the Lateral Tilt in the case of Essenza 300 with Lateral Tilt, ensure that the process does not pose any risk of the patient falling or getting injured, or of any lines or tracheal tubes getting pulled out.

3 Environment Conditions



WARNING!

Risk of damaging the product due to incorrect environment conditions!

► Do not use the Essenza 300 bed with the compatible accessories under the environmental conditions outside of those specified in the Environment Conditions chapter!



CAUTION!

Risk of damaging the product if its packaging is exposed to environmental conditions outside of those specified in the Environment Conditions chapter!

Parameter	Value
Use Conditions	
Ambient Temperature	10°C — 40°C
Relative Humidity	30% — 75 %
Atmospheric Pressure	795 — 1060 hPa
Storage and Transport Conditions	
Ambient Temperature	-20°C — 50°C
Relative Humidity	20% — 90 %
Atmospheric Pressure	795 — 1060 hPa

4 Accessories

**WARNING!**

Risk of injury due to incompatible accessories!

- ▶ Use exclusively original accessories from the manufacturer.
- The manufacturer is not responsible for the use of unapproved accessories.

**WARNING!**

Risk of injury due to damaged accessories!

- ▶ Use exclusively accessories in perfect condition.

**WARNING!**

Risk of injury or material damage due to incorrect use!

- ▶ Compatible accessories manufactured by different manufacturers have their own instructions for use. It is necessary to read instructions for use of a compatible accessory with instructions for use of the compatible LINET product to respect especially technical parameters, warning notifications, cleaning and maintenance instructions of LINET products and their compatible accessories!

**WARNING!**

Risk of injury or material damage when adjusting the bed!

- ▶ Ensure that there are no installed accessories that may collide with moving parts of the bed.
- ▶ Extra care must be taken to avoid collisions of the accessories with bed parts and with the other accessories during bed positioning.
- ▶ Extra care must be taken to avoid collisions of the accessories installed on the bed and things in the vicinity of the bed.

**WARNING!**

Patient is allowed to use selected accessories only if hospital personnel had assessed that the patient's physical and psychological state is in accordance with use of them and only if the hospital personnel had trained the patient in accordance with the instructions for use!

Compatible Accessories for Essenza 300 bed

Compatible Accessories for Essenza 300	Manufacturers and Identification Numbers	Compatibility
Lifting Pole	LINET: 11011410A0000, 11011410B0000, 1101141000000	bed without Lateral Tilt, bed without Accessory Adaptor
Extended Lifting Pole	LINET: 11011460A0000, 11011460B0000, 1101146000000	bed with Lateral Tilt, bed with Accessory Adaptor
Triangular Holder for Lifting Pole	Rolko Kohlgruber: 4ROTGERSG700-2, 4ROTGNR100GR-2	all bed variants
Infusion Holder for Lifting Pole	MARO - Mader: 4MAPL00N1001, LINET: 16010700A0000, 16010700B0000, wissner-bosserhoff: WDE5006220000	all bed variants
Infusion Pump Holder	LINET: 1102520000000	all bed variants
Infusion Bottle Basket	DRÁTĚNÝ PROGRAM: 4DR426101	all bed variants
Telescopic Infusion Stand (D34)	Provita Medical: 4PV340290000, 4PV17744500L, 4PV17587200L, 4PV322717000, 4PV297475000	all bed variants
Telescopic Infusion Stand (D18)	Provita Medical: 4PKV26107200	all bed variants
S-shaped Telescopic Infusion Stand	Provita Medical: 4PV17604800L, 4PV50-0742-0000, MARO - Mader: 4MA45MNA0003	all bed variants
Monitor Shelf	LINET: 11026500B0000	bed with corner bumpers with accessory bushings
Writing Shelf	LINET: 11023240A0000	bed with HPL Head Board and Foot Board
Utility Shelf for Plastic Head Board and Foot Board	LINET: 11026000B0000	bed with Plastic Head Board and Foot Board
Vertical Oxygen Bottle Holder	MARO - Mader: 4MAR250141, 4MAR250140	bed with Plastic Head Board and Foot Board
Horizontal Oxygen Bottle Holder for Plastic Head Board	MARO - Mader: 4MAS0001653	bed with Plastic Head Board and Foot Board
Horizontal Oxygen Bottle Holder for HPL Head Board	MARO - Mader: 4MAR2010PC003	bed with HPL Head Board and Foot Board
Urinary Bag Holder	LINET: 11023700A0000	all bed variants
Urinary Bottle Holder for Plastic Siderails	LINET: 11027900B0000	bed with plastic siderails
Urinary Bottle Holder for Telescopic Siderails	MARO - Mader: 4MAS6018966	bed with telescopic siderails
Urinary Bottle Holder for Collapsible Siderails	LINET: 11027200A0000	bed with collapsible siderails
Redon Bottle Holder	LINET: 11008200B0000, 11008200A0000	all bed variants
Crutch Holder for Plastic Foot Board	LINET: 1102070000000	bed with plastic siderails, bed with Plastic Head Board and Foot Board
Crutch Holder for HPL Foot Board	LINET: 11021100A0000	bed with HPL Head Board and Foot Board
Towel Holder for Plastic Foot Board	LINET: 11025002B0000	bed with Plastic Head Board and Foot Board
Towel Holder for HPL Foot Board	LINET: 11025001A0000	bed with HPL Head Board and Foot Board
Name Holder for Plastic Foot Board	flexxiparts: 4ZZ105313, Grafiteam: 4GT006000000	bed with Plastic Head Board and Foot Board
Name Holder for HPL Foot Board	Grafiteam: 4GT008000000	bed with HPL Head Board and Foot Board
Chart Holder for Plastic Foot Board	LINET: 11023900A0000	bed with plastic siderails, bed with Plastic Head Board and Foot Board

Compatible Accessories for Essenza 300	Manufacturers and Identification Numbers	Compatibility
Chart Holder for HPL Foot Board	LINET: 11024001A0000	bed with HPL Head Board and Foot Board
Holder for Small Accessories	LINET: 11002110B0000	bed with plastic siderails
Hook for Small Accessories	LINET: 1102840000000	bed with telescopic siderails, bed with HPL Head Board and Foot Board
Extender for Telescopic Siderails	LINET: 1100910000000	bed with telescopic siderails
Extender for Collapsible Siderails	LINET: 11008900B0000, 11008900A0000	bed with collapsible siderails
Horizontal Handset Control Panel Holder	LINET: 1102860000000	bed with telescopic siderails
Vertical Handset Control Panel Holder	LINET: 1102850000000	bed with telescopic siderails
Transparent Accessory Box	AZ Plastik: 41029700L0000	bed with Plastic Head Board and Foot Board, bed with telescopic siderails, bed with HPL Head Board and Foot Board
Positioning Cushion	PERCEPT-FUN: 4SET17500001	bed with Lateral Tilt
Telescopic Siderail Covers	LINET: 4PPCHRPEZ300	bed with telescopic siderails
Plastic Siderail Covers	LINET: 4PPCHRPEZ300P	bed with plastic siderails
SafeSense 3	LINET: 1SFS300001, 1SFS300004	SafeSense 3 ready bed
Traction Frame Z	MARO - Mader: 4MAEXZ000000	bed with corner bumpers with accessory bushings, bed with corner bumpers without accessory bushings and with two Adaptors for Traction Frame Z
Reading Lamp	Provita Medical: 4PV383435X00	all bed variants
Traction Frame D Holder for Foot Board with One Safety Lock	LINET: 1103470000000	bed with corner bumpers with accessory bushings
Traction Frame T73	Kinetec SAS: 4KI4655006152	bed with corner bumpers with accessory bushings
Traction Frame T74	Kinetec SAS: 4KI4655006160	bed with corner bumpers without accessory bushings
Partial Traction Frame MP for Foot Board with One Safety Lock	Kinetec SAS: 4KI4655006178	bed with corner bumpers with accessory bushings
Partial Traction Frame MP for Foot Board with Two Safety Locks	Kinetec SAS: 4KI4655006186	bed with corner bumpers without accessory bushings
Cross Infusion Pump Holder	LINET: 1102480000000	all bed variants

Specifications of the Compatible Accessories for Essenza 300 bed



CAUTION!

Material damage due to incorrect cleaning or disinfection!

► Check if used cleaning agents and disinfectants are compatible with materials that the accessory consists of! For information see the following tables.

Compatible Accessories for Essenza 300	Materials (surfaces of the accessories mentioned for the sake of cleaning and disinfection)	Accessory Mass	SWL
Lifting Pole 11011410A0000	Lacquered steel	5,76 kg	75 kg
Lifting Pole 11011410B0000	Lacquered steel	5,76 kg	75 kg
Lifting Pole 1101141000000	Chrome steel	5,76 kg	75 kg
Extended Lifting Pole 11011460A0000	Lacquered steel	6,1 kg	75 kg
Extended Lifting Pole 11011460B0000	Lacquered steel	6,1 kg	75 kg
Extended Lifting Pole 1101146000000	Chrome steel	6,1 kg	75 kg
Triangular Holder for Lifting Pole 4ROTGERSG700-2		0,19 kg	75 kg
Triangular Holder for Lifting Pole 4ROTGNR100GR-2		0,37 kg	75 kg
Infusion Holder for Lifting Pole 4MAPL00N1001	Stainless steel	0,15 kg	9 kg
Infusion Holder for Lifting Pole 16010700A0000	Lacquered steel	0,15 kg	9 kg (3 kg per hook)
Infusion Holder for Lifting Pole 16010700B0000	Lacquered steel	0,15 kg	9 kg (3 kg per hook)
Infusion Holder for Lifting Pole WDE5006220000	Lacquered steel	0,41 kg	20 kg (5 kg per hook)
Infusion Pump Holder 1102520000000	Chrome steel	1,7 kg	3 kg
Infusion Bottle Basket 4DR426101	Stainless steel	0,08 kg	2 kg
Telescopic Infusion Stand (D34) 4PV340290000	Chrome steel	0,78 kg	15 kg (2 kg per hook)
Telescopic Infusion Stand (D34) 4PV17744500L	Chrome steel	1,58 kg	15 kg (2 kg per hook)
Telescopic Infusion Stand (D34) 4PV17587200L	Chrome steel	1,57 kg	8 kg (2 kg per hook)
Telescopic Infusion Stand (D34) 4PV322717000	Chrome steel	1,51 kg	15 kg (2 kg per hook)
Telescopic Infusion Stand (D34) 4PV297475000	Chrome steel	1,63 kg	10 kg (5 kg per hook)
Telescopic Infusion Stand (D18) 4PKV26107200	Chrome steel	1,54 kg	8 kg (2 kg per hook)
S-shaped Telescopic Infusion Stand 4PV17604800L	Chrome steel	1,45 kg	4 kg (2 kg per hook)
S-shaped Telescopic Infusion Stand 4PV50-0742-0000	Stainless steel	1,37 kg	4 kg (5 kg per hook)
S-shaped Telescopic Infusion Stand 4MA45MNA0003	Stainless steel	2,3 kg	20 kg (5 kg per hook)
Monitor Shelf 11026500B0000	Lacquered steel + HPL	8,84 kg	15 kg
Writing Shelf 11023240A0000	Lacquered steel + Acrylonitrile butadiene styrene (ABS)	3 kg	10 kg
Utility Shelf for Plastic Head Board and Foot Board 11026000B0000	Lacquered steel + Acrylonitrile butadiene styrene (ABS)	2 kg	10 kg
Vertical Oxygen Bottle Holder 4MAR250141		1,68 kg	15 kg
Vertical Oxygen Bottle Holder 4MAR250140		1,84 kg	15 kg
Horizontal Oxygen Bottle Holder for Plastic Head Board 4MAS0001653		1,39 kg	15 kg

Compatible Accessories for Essenza 300	Materials (surfaces of the accessories mentioned for the sake of cleaning and disinfection)	Accessory Mass	SWL
Horizontal Oxygen Bottle Holder for HPL Head Board 4MAR2010PC003	Stainless steel	1,7 kg	15 kg
Urinary Bag Holder 11023700A0000	Lacquered steel	0,1 kg	5 kg
Urinary Bottle Holder for Plastic Siderails 11027900B0000	Lacquered steel	0,42 kg	5 kg
Urinary Bottle Holder for Telescopic Siderails 4MAS6018966		0,35 kg	5 kg
Urinary Bottle Holder for Collapsible Siderails 11027200A0000	Lacquered steel	0,33 kg	2 kg
Redon Bottle Holder 11008200B0000	Lacquered steel	0,47 kg	5 kg
Redon Bottle Holder 11008200A0000	Lacquered steel	0,47 kg	5 kg
Crutch Holder for Plastic Foot Board 1102070000000	Lacquered steel	0,2 kg	3 kg
Crutch Holder for HPL Foot Board 11021100A0000	Lacquered steel	0,28 kg	3 kg
Towel Holder for Plastic Foot Board 11025002B0000	Galvanised steel + Acrylonitrile butadiene styrene (ABS)	0,84 kg	3 kg
Towel Holder for HPL Foot Board 11025001A0000	Lacquered steel	0,68 kg	3 kg
Name Holder for Plastic Foot Board 4ZZ105313		0,03 kg	
Name Holder for Plastic Foot Board 4GT006000000		0,04 kg	
Name Holder for HPL Foot Board 4GT008000000		0,04 kg	
Chart Holder for Plastic Foot Board 11023900A0000	Acrylonitrile butadiene styrene (ABS)	0,26 kg	
Chart Holder for HPL Foot Board 11024001A0000	Acrylonitrile butadiene styrene (ABS)	0,3 kg	
Holder for Small Accessories 11002110B0000	Polyamide (PA6) + 30% glass fibers	0,08 kg	2 kg
Hook for Small Accessories 1102840000000	Polyoxymethylene (POM)	0,02 kg	5 kg
Extender for Telescopic Siderails 1100910000000	Aluminium (Al) + Polyamide (PA) + Chrome steel / Zinc-plated steel	1,07 kg	
Extender for Collapsible Siderails 11008900B0000	Lacquered steel	4,02 kg	20 kg
Extender for Collapsible Siderails 11008900A0000	Lacquered steel	4,02 kg	20 kg
Horizontal Handset Control Panel Holder 1102860000000	Polyamide (PA6) + Brass	0,12 kg	
Vertical Handset Control Panel Holder 1102850000000	Polyamide (PA6) + Brass + Steel	0,24 kg	
Transparent Accessory Box 41029700L0000		0,29 kg	0,5 kg
Positioning Cushion 4SET17500001	Washable cover	1,47 kg	
Telescopic Siderail Covers 4PPCHRPEZ300	See the cleaning instructions on the wash label!	0,8 kg (set)	
Plastic Siderail Covers 4PPCHRPEZ300P	See the cleaning instructions on the wash label!	1,6 kg (set)	

Compatible Accessories for Essenza 300	Materials (surfaces of the accessories mentioned for the sake of cleaning and disinfection)	Accessory Mass	SWL
SafeSense 3 Stand-alone Version 1SFS300001	Consult the Instructions for Use of this product!	2,6 kg	
SafeSense 3 for Essenza 300 1SFS300004	Consult the Instructions for Use of this product!	2,4 kg	
Traction Frame Z 4MAEXZ000000	Stainless steel + Polyamide (PA) + Brass + Duralumin	35 kg	75 kg
Reading Lamp 4PV383435X00	Consult the Instructions for Use of this product!	1,2 kg	
Traction Frame D Holder for Foot Board with One Safety Lock 1103470000000	Chrome steel + Polyamide (PA) + Polyethylene (PE)	6 kg	20 kg
Traction Frame T73 4KI4655006152	Consult the Instructions for Use of this product!	24 kg	75 kg
Traction Frame T74 4KI4655006160	Consult the Instructions for Use of this product!	24 kg	75 kg
Partial Traction Frame MP for Foot Board with One Safety Lock 4KI4655006178	Consult the Instructions for Use of this product!	4,5 kg	20 kg
Partial Traction Frame MP for Foot Board with Two Safety Locks 4KI4655006186	Consult the Instructions for Use of this product!	4,5 kg	20 kg
Cross Infusion Pump Holder 1102480000000	Chrome steel + Stainless steel + Plastic	1,11 kg	3 kg

4.1 Lifting Pole



WARNING!

Risk of injury due to incorrect use!

- ▶ Ensure the Lifting Pole is correctly inserted to a bushing for Lifting Pole in inner corners of the mattress support platform at bed head end!
- ▶ Ensure the Lifting Pole is fixed above the mattress support platform to avoid any risk of the bed tipping over!

Lifting Pole is intended for supporting a patient who uses it to sit or lift by himself / herself or with the help of a caregiver. Standard Lifting Pole is not compatible with the Essenza 300 with Lateral Tilt or with Accessory Adaptor. Lifting Pole must be placed into a bushing at head end of the mattress support platform. Maximum Load of the Lifting Pole is 75 kg.

To ensure safe use of the Lifting Pole:

- ▶ Never exceed the maximum load of 75 kg.
- ▶ Avoid collision between Lifting Pole and the Head Board during Backrest adjustment or tilting to the Trendelenburg Position.
- ▶ Never use the Lifting Pole for demanding rehabilitation exercises.
- ▶ To prevent the bed from tipping over, ensure that the Lifting Pole does not project out from the bed.

To install the Lifting Pole:

- ▶ Insert Lifting Pole into a bushing at head end of the mattress support platform.
- ▶ Ensure the Lifting Pole is safely installed above the mattress support platform.
- ▶ Ensure the safety pin of the Lifting Pole is locked in a compatible bushing.
- ▶ Attach a Triangular Holder with an adjustable strap to the Lifting Pole.

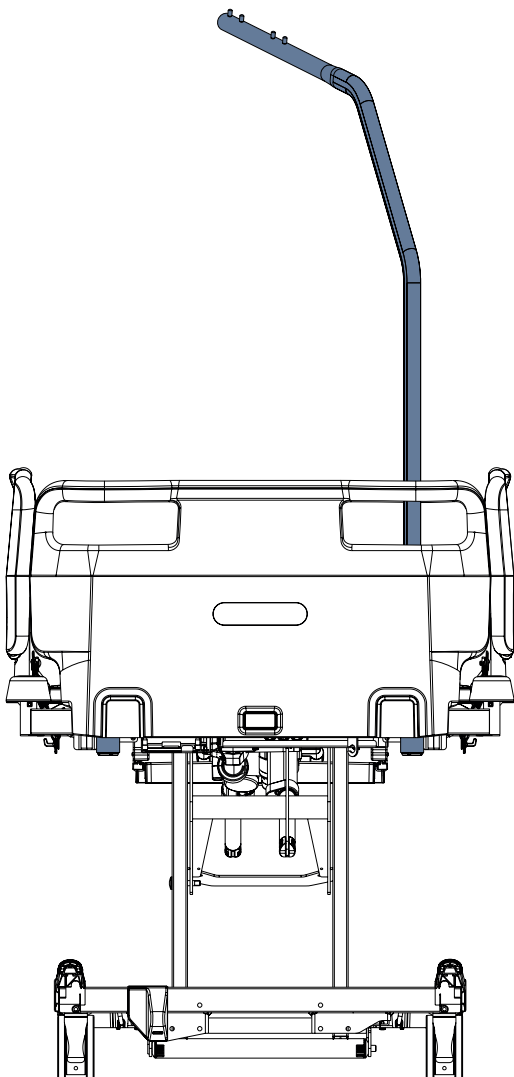


Fig. Lifting Pole in the bushing at head end of the mattress support platform

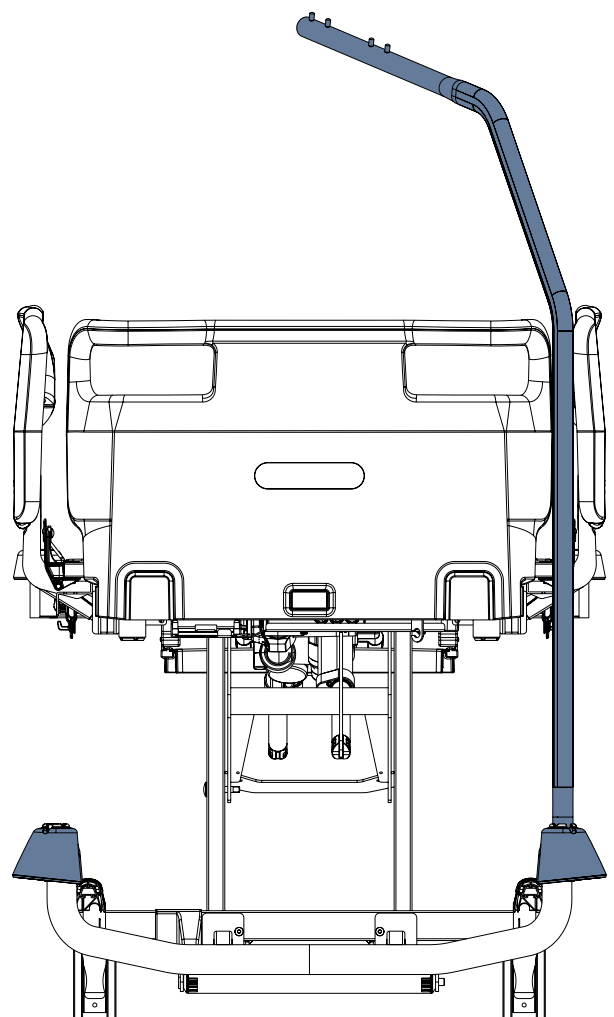


Fig. Extended Lifting Pole in the Accessory Adaptor at bed head end

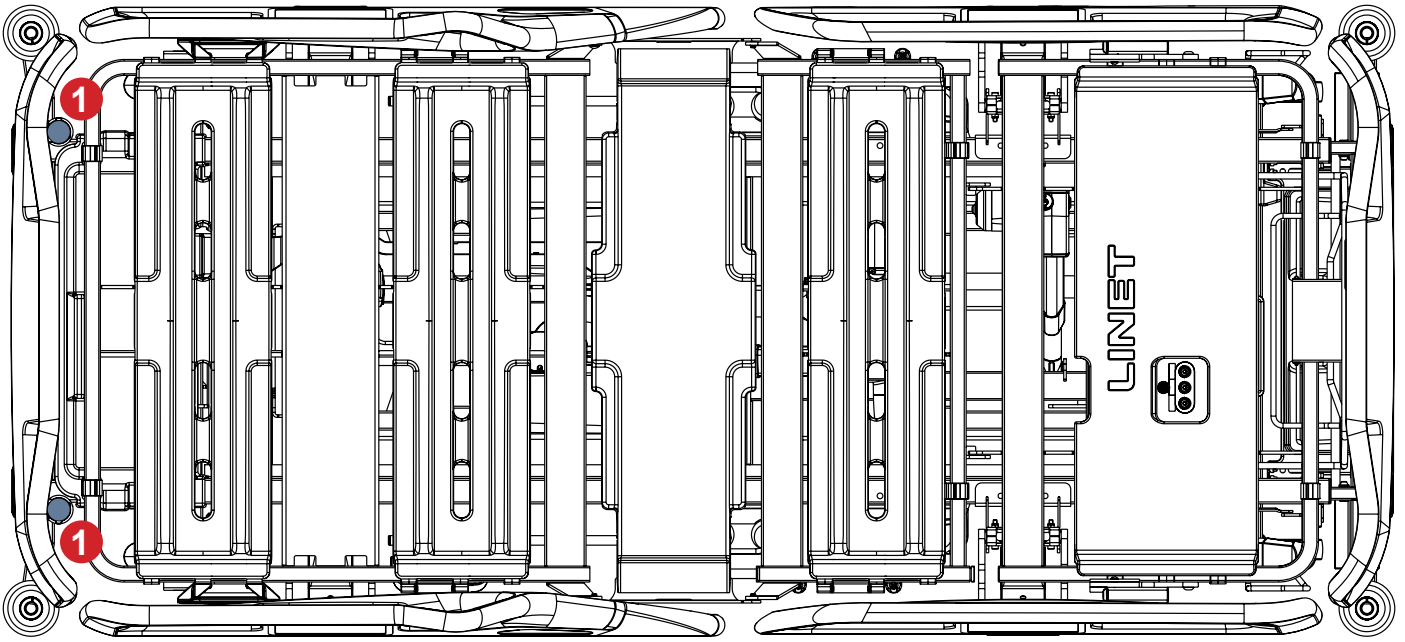


Fig. Bushings for the Standard Lifting Pole (1) at head end of the mattress support platform

4.2 Extended Lifting Pole



WARNING!

Risk of injury due to incorrect use!

- ▶ Ensure the Extended Lifting Pole is correctly inserted to a bushing for Extended Lifting Pole in inner corners of the mattress support platform at bed head end or to a bushing in the Accessory Adaptor at bed head end!
- ▶ Ensure the Extended Lifting Pole is fixed above the mattress support platform to avoid any risk of the bed tipping over!

Extended Lifting Pole is intended for supporting a patient who uses it to sit or lift by himself / herself or with the help of a caregiver. Extended Lifting Pole is compatible with the Essenza 300 with Lateral Tilt or with Accessory Adaptor. Extended Lifting Pole must be placed into a bushing at head end of the mattress support platform or into a bushing on the Accessory Adaptor at bed head end. Maximum Load of the Extended Lifting Pole is 75 kg.

To ensure safe use of the Extended Lifting Pole:

- ▶ Never exceed the maximum load of 75 kg.
- ▶ Avoid collision between Extended Lifting Pole and the Head Board during Backrest adjustment or tilting to the Trendelenburg Position.
- ▶ Never use the Extended Lifting Pole for demanding rehabilitation exercises.
- ▶ To prevent the bed from tipping over, ensure that the Extended Lifting Pole does not project out from the bed.

To install the Extended Lifting Pole:

- ▶ Insert Extended Lifting Pole into a bushing at head end of the mattress support platform.
- ▶ Ensure the Extended Lifting Pole is safely installed above the mattress support platform.
- ▶ Ensure the safety pin of the Extended Lifting Pole is locked in a compatible bushing.
- ▶ Attach a Triangular Holder with an adjustable strap to the Extended Lifting Pole.

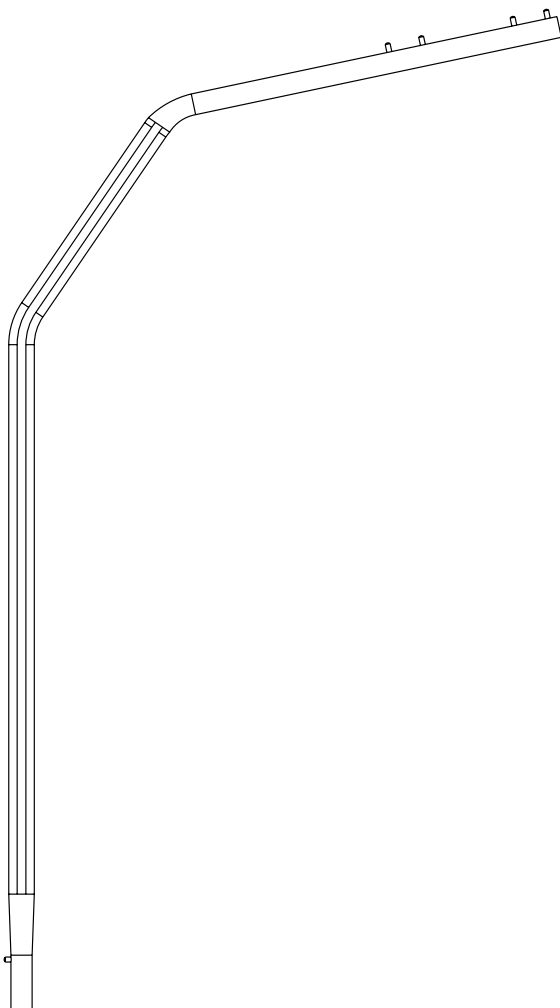


Fig. Extended Lifting Pole

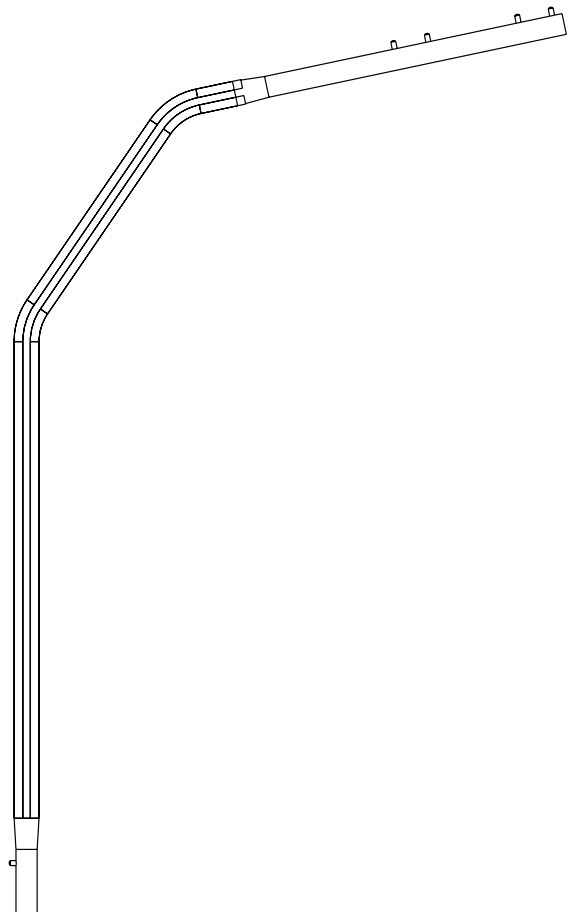


Fig. Standard Lifting Pole

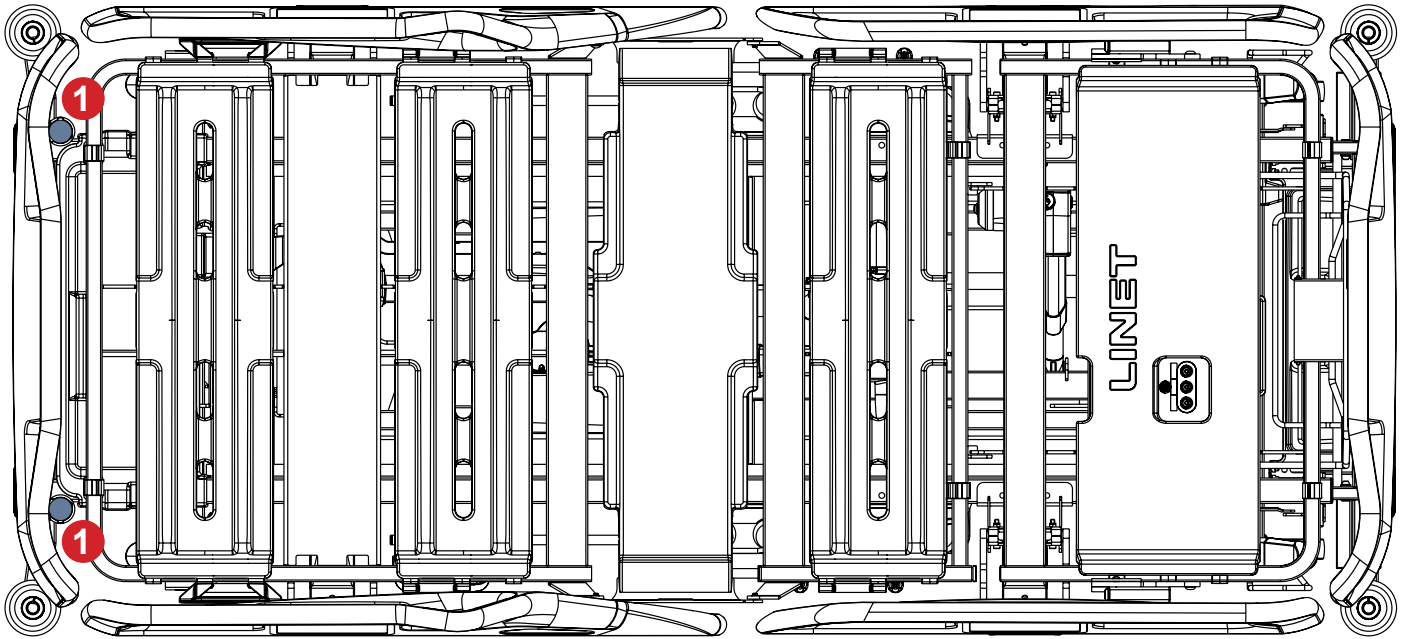


Fig. Bushings for the Extended Lifting Pole (1) at head end of the mattress support platform

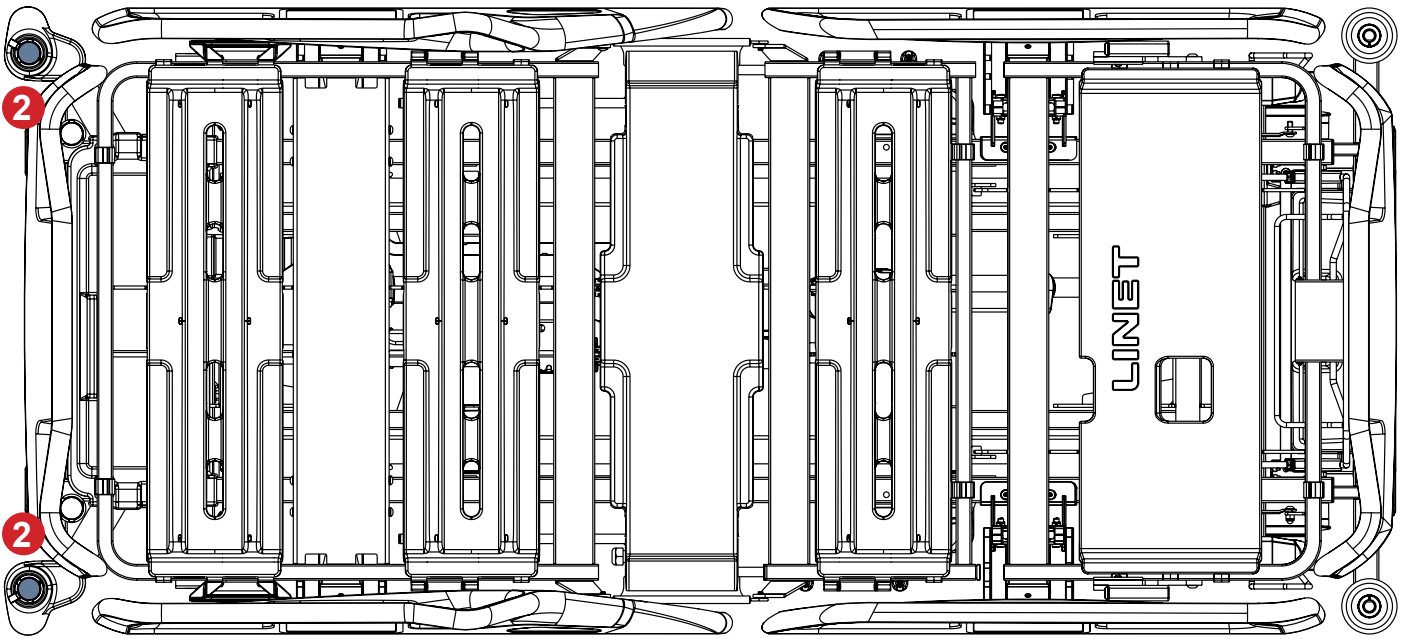


Fig. Accessory Adaptors for the Extended Lifting Pole (2) in the bed undercarriage

4.3 Triangular Holder for Lifting Pole



WARNING!
Read Instructions for use of the Triangular Holder before use of this product!



WARNING!
Replace Triangular Holder when this replacement is recommended by its manufacturer! Read Instructions for use of the Triangular Holder before use of this product!

Triangular Holder is intended for supporting a patient who uses it to sit or lift by himself / herself or with the help of a caregiver. Triangular Holder is intended to be placed on the Lifting Pole. Maximum Load of the Triangular Holder is 75 kg.

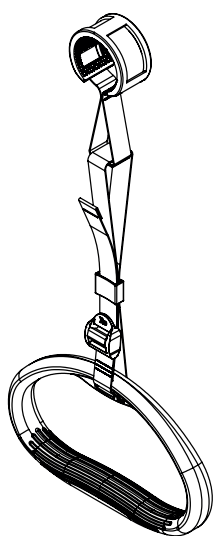


Fig. Triangular Holder
4ROTGERSG700-2

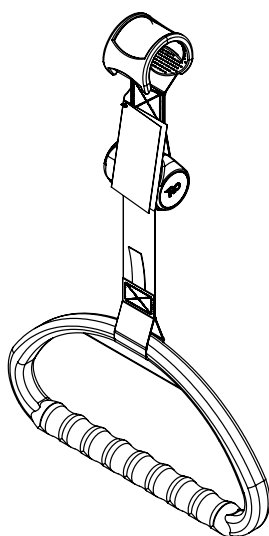


Fig. Extendable Triangular
Holder 4ROTGNR100GR-2

4.4 Infusion Holder for Lifting Pole

Infusion Holder is intended for holding IV bags with intravenous solutions. Infusion Holder is intended to be placed on the Lifting Pole. Maximum Load of the Infusion Holders is 10 kg.

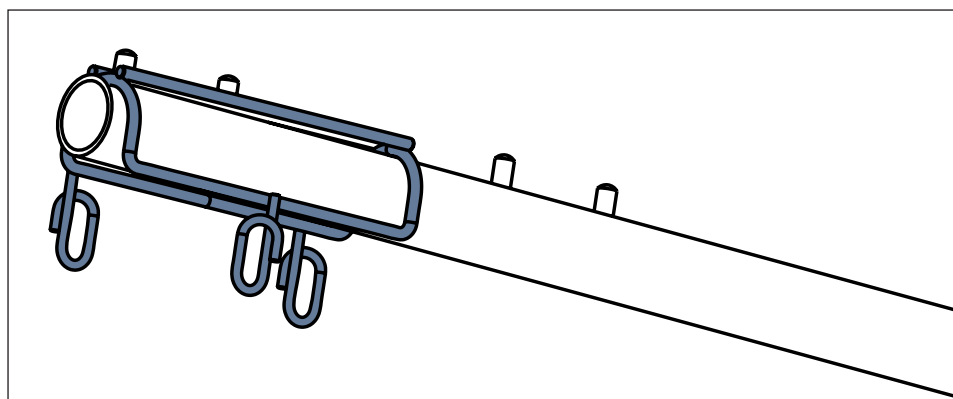


Fig. Infusion Holder 4MAPL00N1001

4.5 Infusion Pump Holder



WARNING!

Risk of injury due to incorrect use!

- ▶ Ensure the Infusion Pump Holder will not collide with any movable parts of the bed (especially Backrest bed part) or with the patient. This must be verified during installation.
- ▶ Do not overtighten the infusion pump clamps during fitment. Overtightening may damage the Infusion Pump Holder.
- ▶ Infusion pump can only be used if the Infusion Pump Holder is fitted into a bushing at head end of the mattress support platform or into a bushing on the Accessory Adaptor at bed head end.
- ▶ Do not use the Infusion Pump Holder as driving/pushing device during the bed transport.

Infusion Pump Holder is intended for holding a compatible infusion pump.

Infusion Pump Holder must be placed into a bushing at head end of the mattress support platform or into a bushing on the Accessory Adaptor at bed head end.

4.6 Infusion Bottle Basket

Infusion Bottle Basket is intended for carrying bottles with intravenous solutions.

It is intended to be suspended on a compatible Infusion Stand.

Maximum Load of the Infusion Bottle Basket is 2 kg.

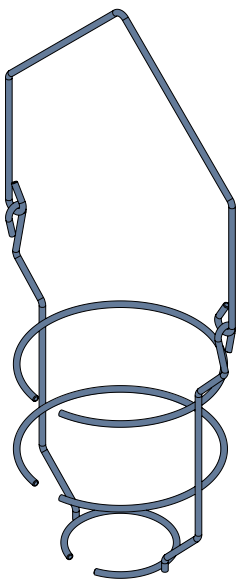


Fig. Infusion Bottle Basket

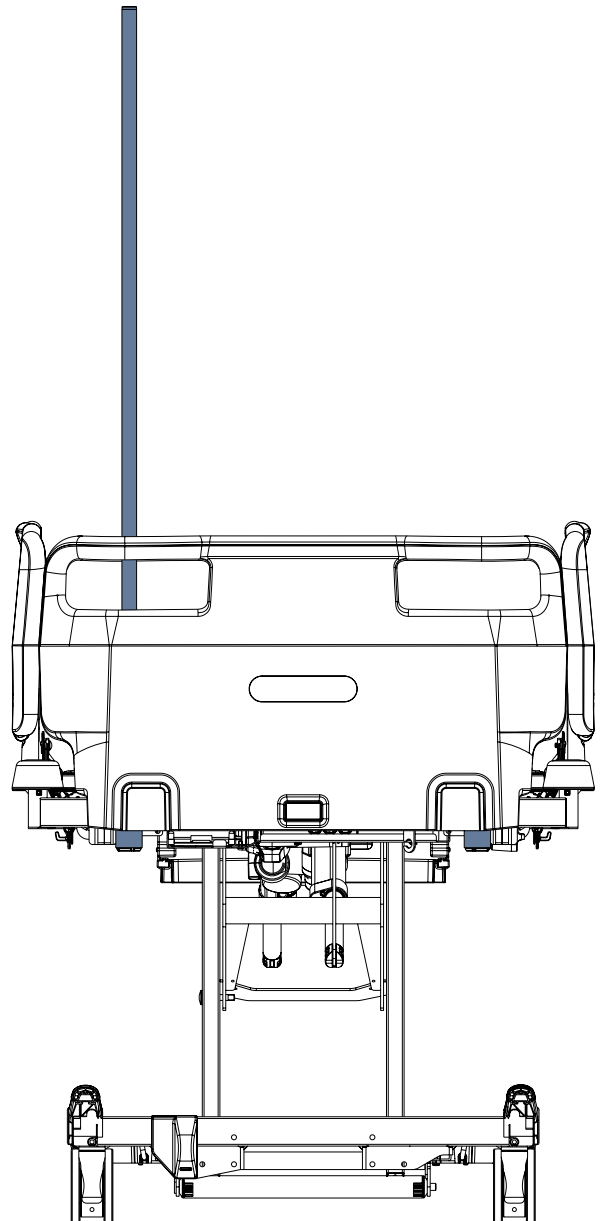


Fig. Infusion Pump Holder at bed head end

4.7 Telescopic Infusion Stand



WARNING!

Risk of injury due to incorrect use!

Infusion Stands must only be used for their intended use. Always read the instructions for use of the corresponding infusion stand!

- ▶ Only mount an infusion pump to the lower (wider) telescopic section of an infusion stand above the Head Board or Foot Board.
- ▶ Never mount an infusion pump to the upper (thinner) telescopic section of an infusion stand.
- ▶ Ensure the infusion pump will not collide with any movable parts of the bed (especially Backrest bed part) or with the patient. This must be verified during installation!
- ▶ Do not overtighten the infusion pump clamps during installation. Overtightening may damage the infusion stand.
- ▶ Infusion pump can only be used if the infusion stand is fitted into a bushing at head end of the mattress support platform or into a bushing on the Accessory Adaptor at bed head end or into a bushing in the bed corner bumper depending on the compatibility.
- ▶ Do not use the infusion stand as driving/pushing device during the bed transport!
- ▶ Use exclusively infusion stands with hooks for hanging IV bags or baskets for intravenous solutions.
- ▶ Do not install the Infusion Stand 4PV50-0742-0000 to the bushings on the Accessory Adaptor at bed head end!
- ▶ Ensure the Safe Working Load of the infusion stand individual hook is not exceeded!
- ▶ Ensure the Safe Working Load of the whole infusion stand is not exceeded!
- ▶ Fix a required position of the Infusion Stand Telescopic Part by turning the knob and ensure the Telescopic Part of the Infusion Stand is secured! Inform patient whether he or she is allowed to adjust the turning knob!

Infusion stands are intended to provide a suitable support for the attachment of the infusion pumps/syringe pumps and suspension of the IV bags, bottles or baskets for intravenous solutions. Maximum Load of the Infusion Stand individual hook and Maximum Load of the whole Infusion Stand are stated on the corresponding Infusion Stand.

Infusion Stand Identification Number	Placement
4PV340290000	2 bushings at head end of the mattress support platform, 2 bushings on the Accessory Adaptor at bed head end
4PV17744500L	
4PV17587200L	
4PV322717000	
4PV297475000	
4PV17604800L	
4MA45MNA0003	
4PV50-0742-0000	2 bushings at head end of the mattress support platform
4PKV26107200	bushings in the bed corner bumpers + 2 bushings at foot end of the bed with HPL Foot Board

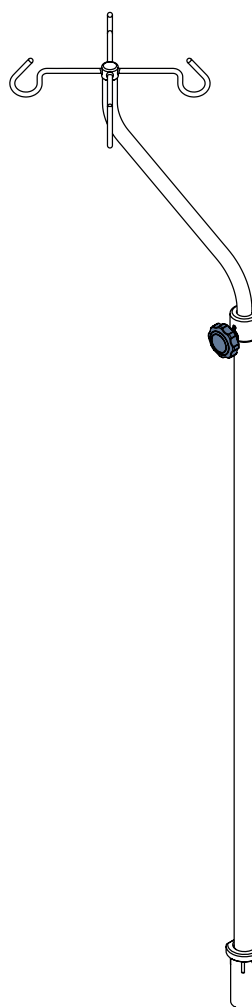


Fig. S-shaped Infusion Stand (4MA45MNA0003)

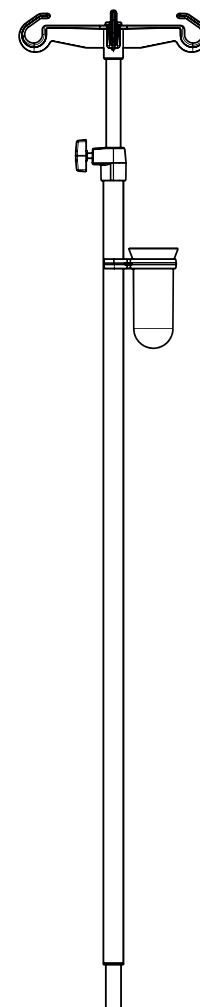


Fig. Infusion Stand with receptacle for cannulas (4PKV26107200)

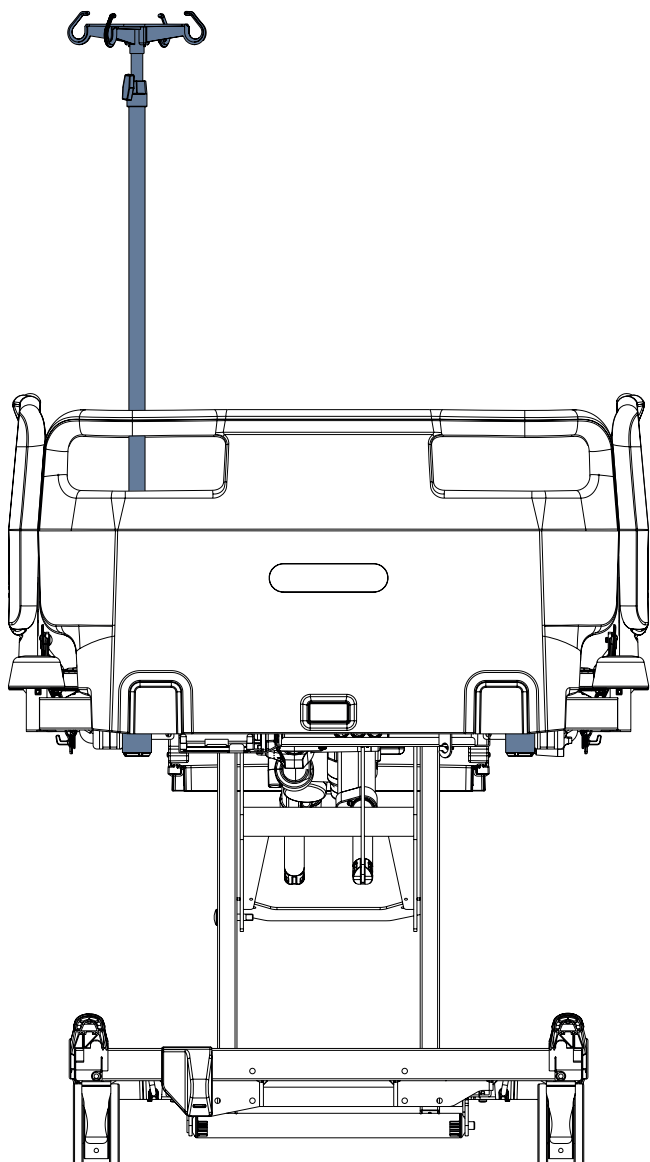


Fig. Infusion Stand in the bushing at head end of the mattress support platform

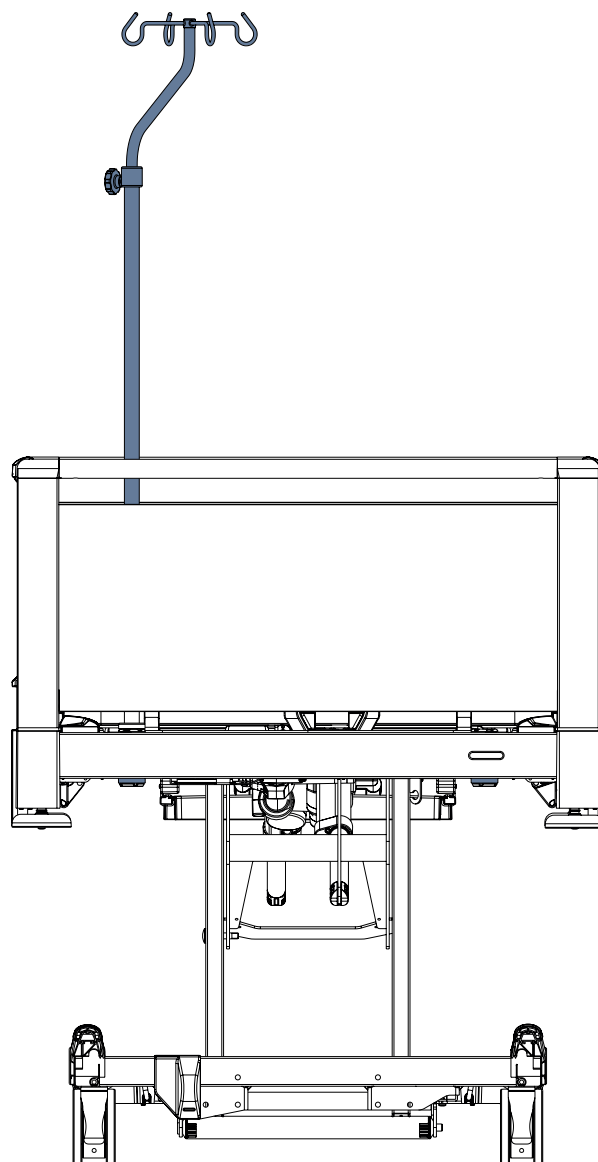


Fig. S-shaped Infusion Stand in the bushing at head end of the mattress support platform

4.8 Monitor Shelf



WARNING!

Risk of injury due to incorrect use!

- ▶ Monitor must be fixed with straps on the Monitor Shelf before use!
- ▶ Avoid collision with Monitor Shelf when lifting the Calfrest!
- ▶ It is forbidden to install the Monitor Shelf into the bed corner bumpers at bed head end!

Monitor Shelf is intended for carrying a monitor when the Monitor Shelf is folded inwards the bed (3). Monitor Shelf must be located at bed foot end in the bed corner bumpers only. When the Monitor Shelf is folded outwards the bed (2) it serves for writing. Monitor Shelf is equipped with straps to fix a monitor on the Monitor Shelf.

Monitor Shelf is compatible with the bed equipped with corner bumpers with accessory bushings only.

Maximum load of the Monitor Shelf in position for carrying a monitor (3) and for writing (2) is 15 kg.

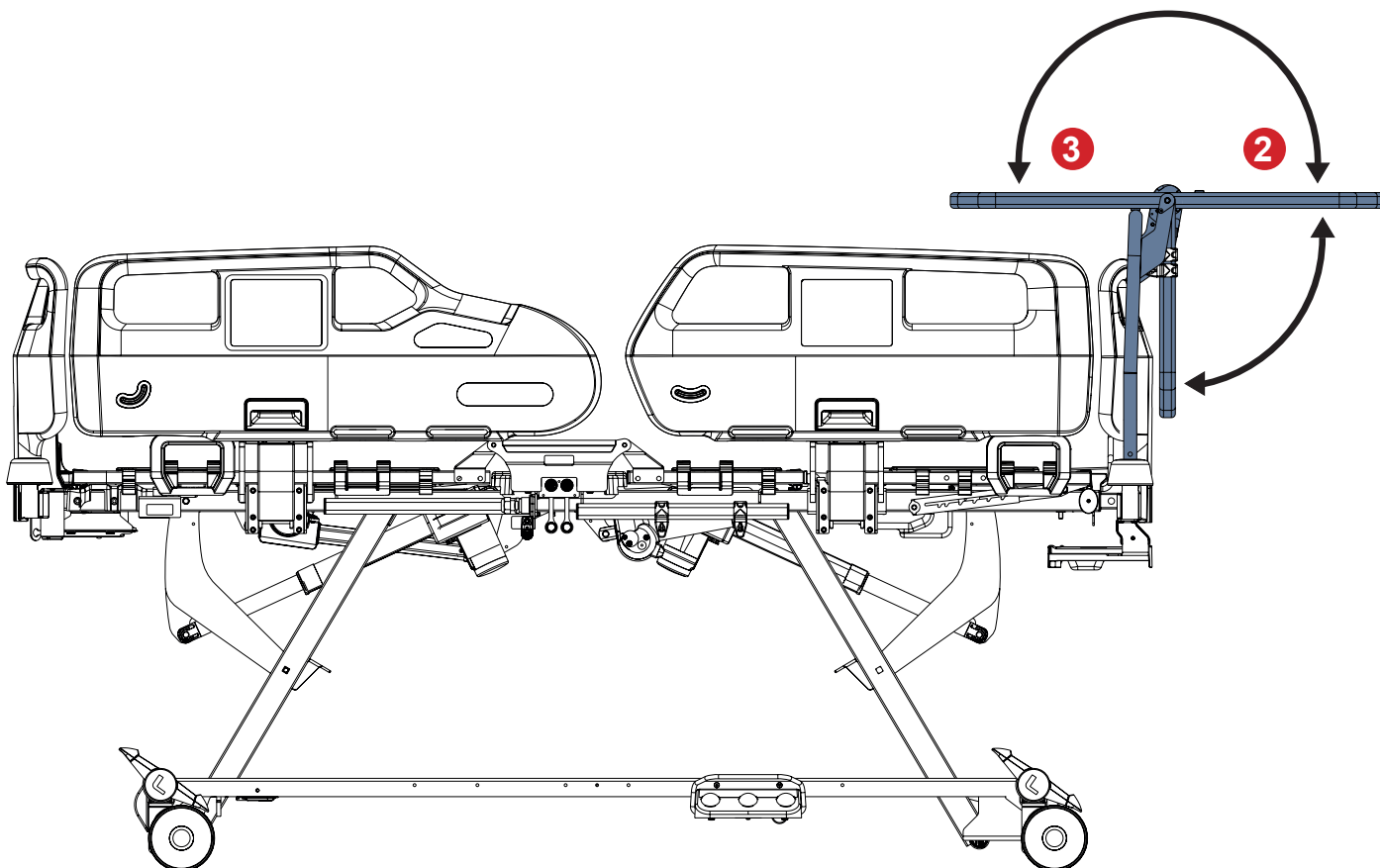


Fig. Monitor Shelf placed in bed foot end corner bumpers

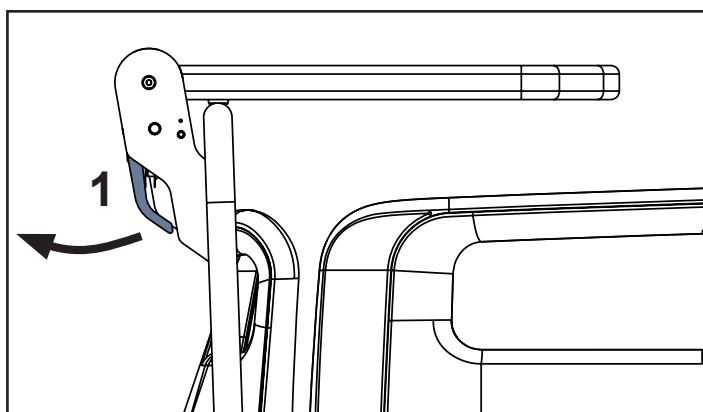


Fig. Manipulation with Monitor Shelf Control Lever (1)

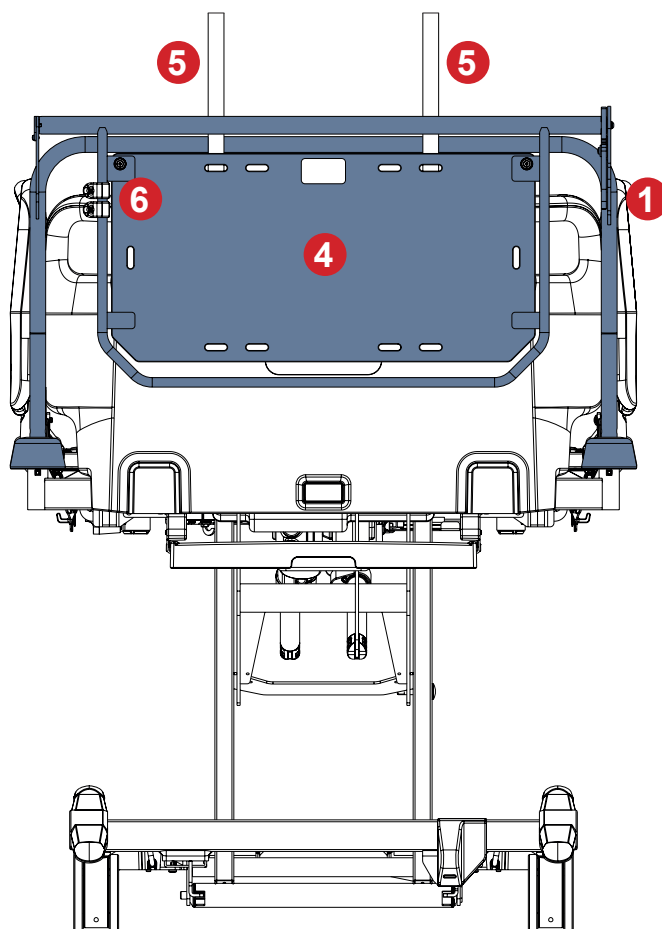


Fig. Description of the Monitor Shelf

To change position of the board:

- ▶ Pull a control lever (1).
- ▶ Change position of the Monitor Shelf Board.
- ▶ Release the control lever (1) in order to lock the position of the Monitor Shelf board.
- ▶ Move the board up and down to ensure the board is fixed.

- 1. Monitor Shelf Control Lever**
- 4. Monitor Shelf Board**
- 5. Straps for fixing a monitor**
- 6. Hooks for accessories**

HOOKS FOR ACCESSORIES

The position of hooks placed on the frame of Monitor Shelf can be changed to a more convenient position.
Respect maximum load of the Monitor Shelf when hanging things on the hooks! Maximum load of the plastic hook is 2 kg.

4.9 Writing Shelf

Writing Shelf is intended for writing of nursing staff.
It is intended to be placed on the upper edge of the HPL part of the HPL Head Board or the HPL Foot Board only.
Maximum Load for the Writing Shelf is 10 kg.

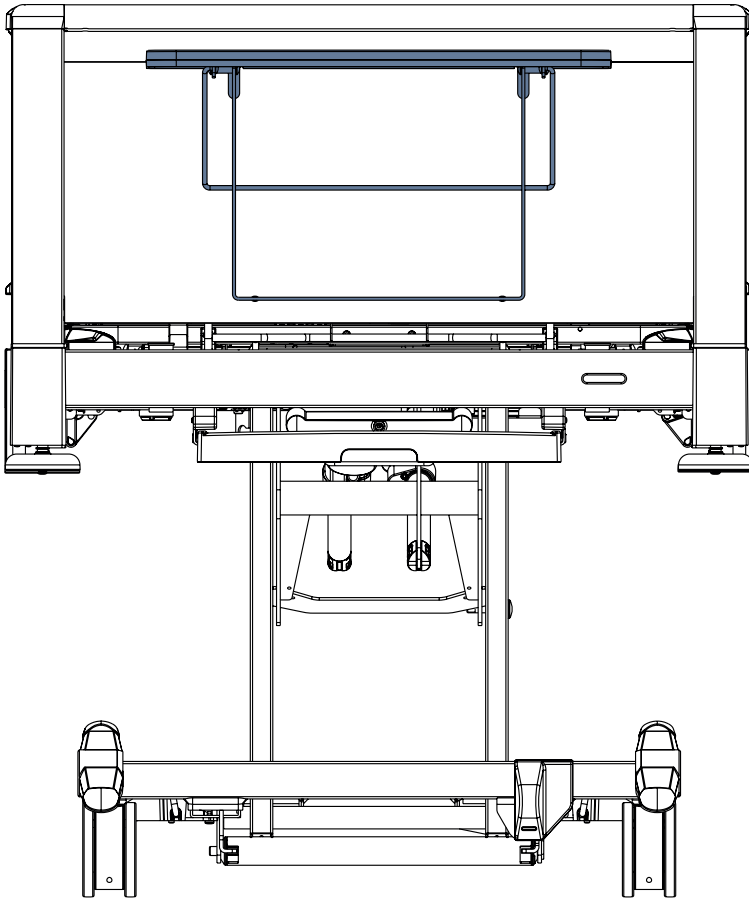


Fig. Writing Shelf on the HPL Foot Board

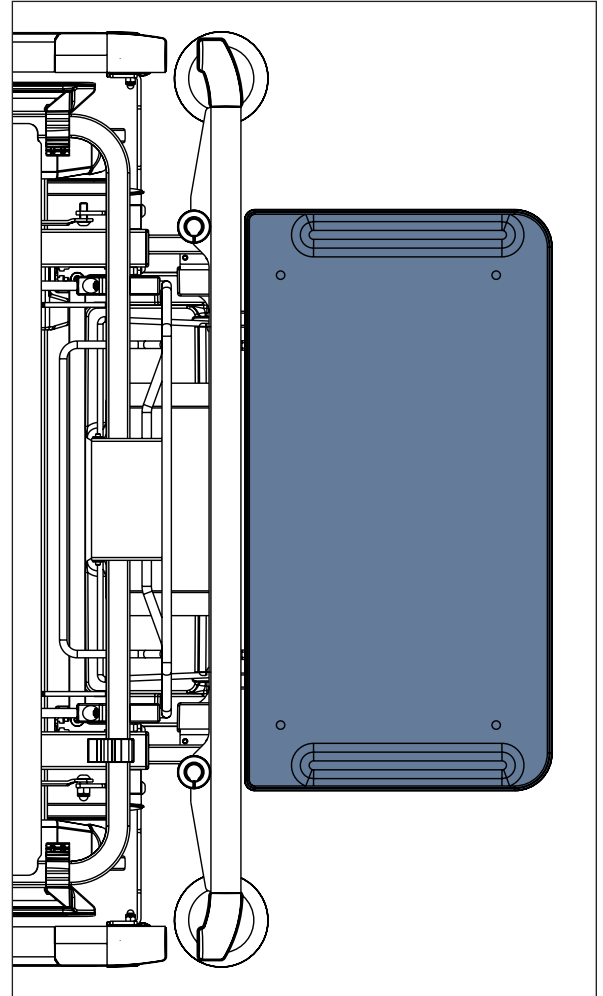


Fig. Writing Shelf Board

4.10 Utility Shelf

The Utility Shelf is intended for linens or sheets.
It is intended to be placed on the Plastic Head Board or the Plastic Foot Board.
Maximum Load for the Utility Shelf is 10 kg.

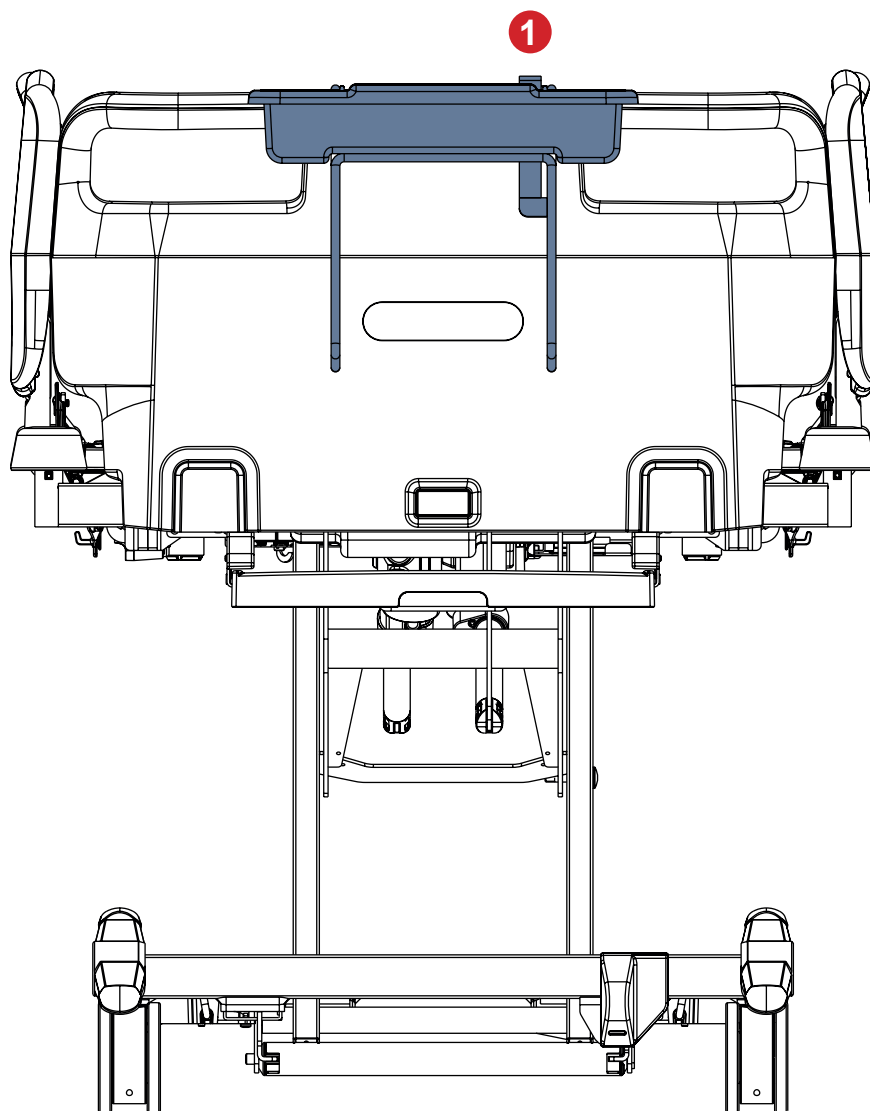


Fig. Utility Shelf on the Foot Board

To place Utility Shelf on the Plastic Head Board or Foot Board:

- ▶ Place wire construction on the Head Board or Foot Board.
- ▶ Insert upper edge of the plastic container under the upper holder of the wire construction as on the picture above.
- ▶ Lower the rest of the plastic container to hang it on the wire construction.

To tilt the plastic container to non-working position:

- ▶ Press release lever (1) and tilt the plastic container into the wire construction.

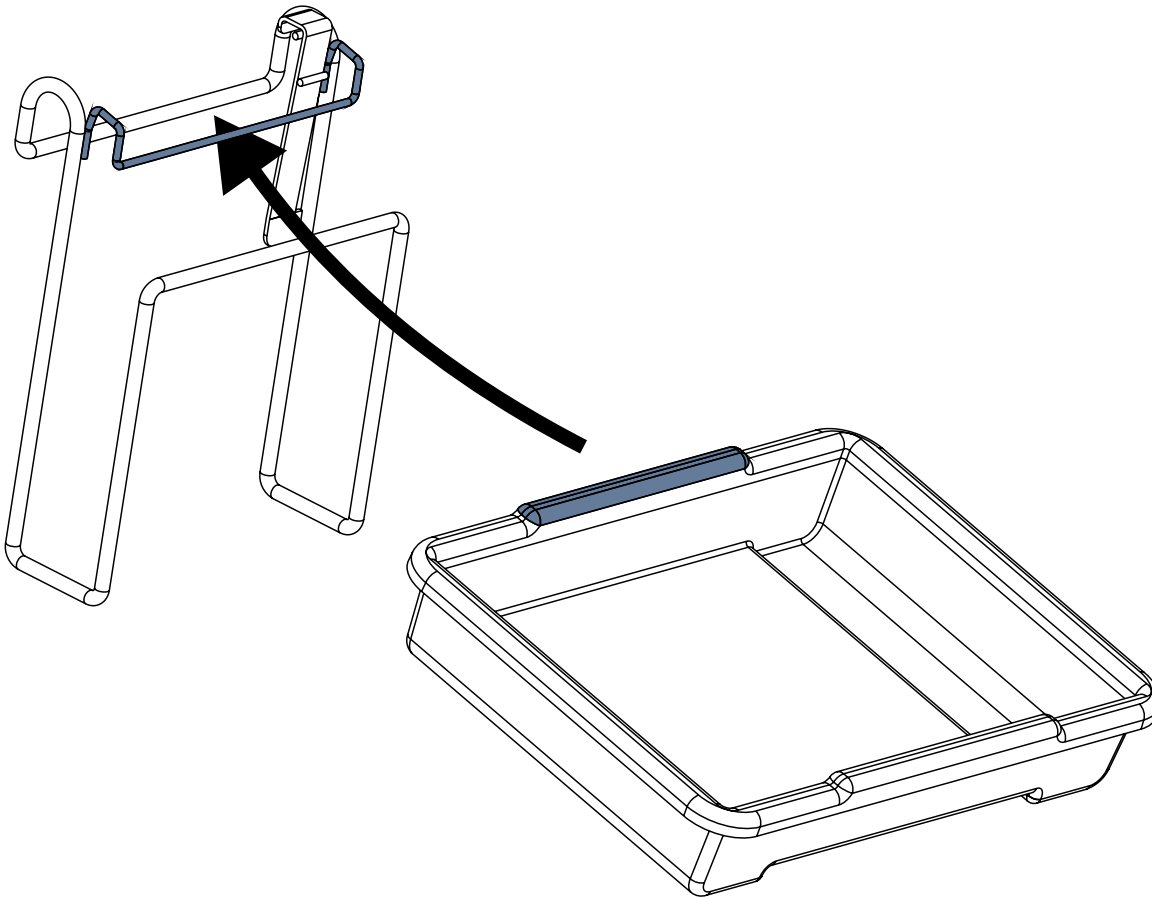


Fig. Placement of plastic container to wire construction of the Utility Shelf

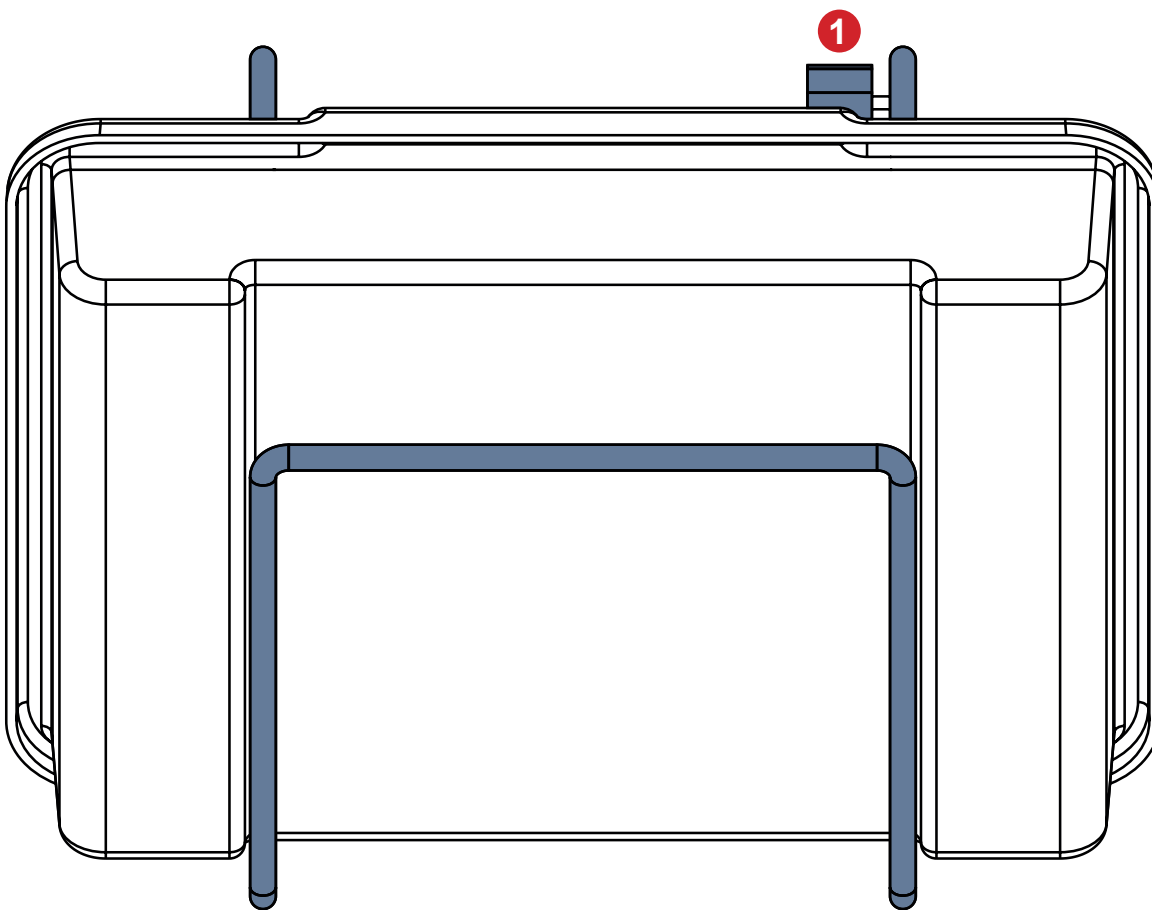


Fig. Plastic container in the non-working position (1 - release lever of the plastic container)

4.11 Oxygen Bottle Holder



WARNING!

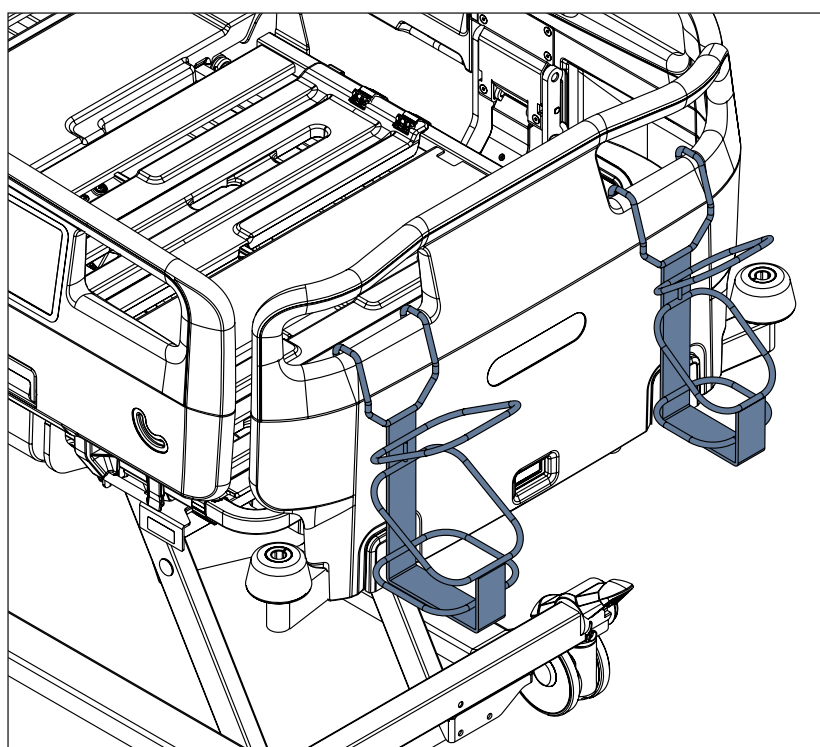
Risk of injury with Oxygen Bottle Holder due to incorrect use or due to careless driving!

- ▶ Ensure the Plastic Head Board is correctly inserted into the bed before placing the Oxygen Bottle Holder onto the Plastic Head Board.
- ▶ Ensure the Oxygen Bottle Holder is correctly fitted in correct position on the Plastic Head Board.
- ▶ It is necessary to check the position of the Oxygen Bottle Holder (with or without oxygen bottle) before transport to secure its transport position.
- ▶ Be aware of people or objects in close proximity when driving or manipulating the bed equipped with Oxygen Bottle Holder.
- ▶ Secure any oxygen bottle in the Horizontal Oxygen Bottle Holder against falling or involuntary movement with rubber strap. Do not use the Horizontal Oxygen Bottle Holder without fixing rubber strap!
- ▶ Ensure the oxygen bottle valve will not get damaged by careless or incorrect manipulation or placement.

Oxygen Bottle Holders are intended for holding and transporting oxygen bottles with a weight of up to 15 kg and a volume of 5 litres.

Oxygen Bottle Holder Identification Number	Compatible oxygen bottle dimensions (length x diameter)
4MAR250141	Max: 80 cm x 12 cm Min: 33 cm x 10 cm (E-type)
4MAR250140	Max: 80 cm x 14 cm Min: 32 cm x 12 cm
4MAS0001653	Max: 52 cm x 14 cm Min: 29 cm x 9 cm
4MAR2010PC003	Max: 52 cm x 14 cm Min: 29 cm x 9 cm

4.11.1 Vertical Oxygen Bottle Holder



To place Vertical Oxygen Bottle Holder on the bed:

- ▶ Put Vertical Oxygen Bottle Holder onto the Plastic Head Board so that Vertical Oxygen Bottle Holder is hanging from a window in the Plastic Head Board.

Fig. Two Vertical Oxygen Bottle Holders on the Plastic Head Board

4.11.2 Horizontal Oxygen Bottle Holder for Plastic Head Board

To place Horizontal Oxygen Bottle Holder on the bed:

- ▶ Put Horizontal Oxygen Bottle Holder onto the Plastic Head Board so that Horizontal Oxygen Bottle Holder is hanging from both windows in the Plastic Head Board.

To insert any compatible oxygen bottle into the Horizontal Oxygen Bottle Holder safely:

- ▶ Secure the oxygen bottle against falling out of the Horizontal Oxygen Bottle Holder or involuntary movement in the Horizontal Oxygen Bottle Holder with rubber strap.
- ▶ Ensure the Horizontal Oxygen Bottle Holder and a compatible oxygen bottle are fitted correctly.

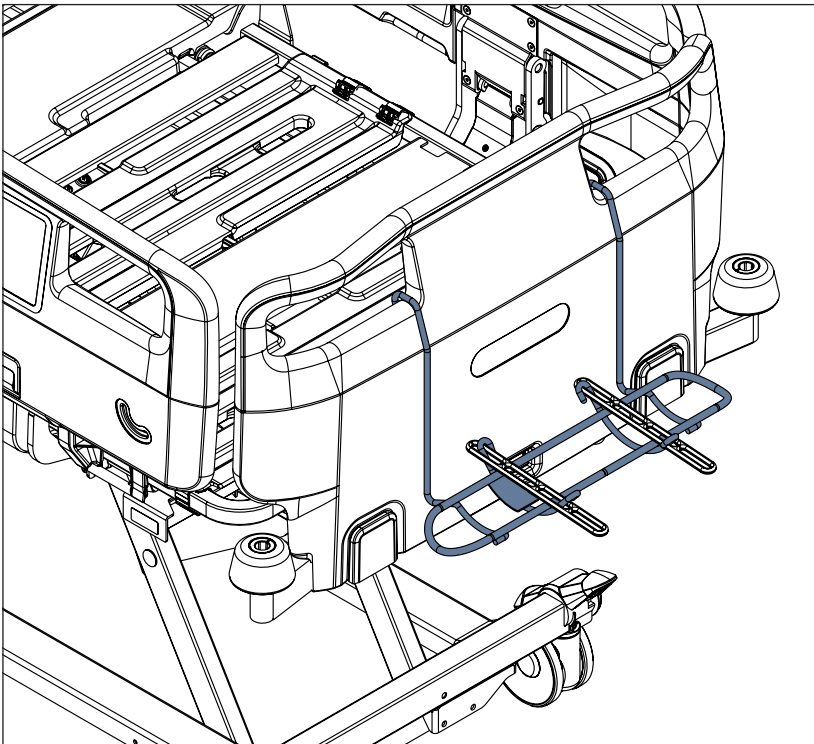


Fig. Horizontal Oxygen Bottle Holder on the Plastic Head Board

4.11.3 Horizontal Oxygen Bottle Holder for HPL Head Board

To place Horizontal Oxygen Bottle Holder on the bed:

- ▶ Put Horizontal Oxygen Bottle Holder on the crossbar under the HPL Head Board so that Horizontal Oxygen Bottle Holder is suspended from the crossbar.

To insert any compatible oxygen bottle into the Horizontal Oxygen Bottle Holder safely:

- ▶ Secure the oxygen bottle against falling out of the Horizontal Oxygen Bottle Holder or involuntary movement in the Horizontal Oxygen Bottle Holder with rubber strap.
- ▶ Ensure the Horizontal Oxygen Bottle Holder and a compatible oxygen bottle are fitted correctly.

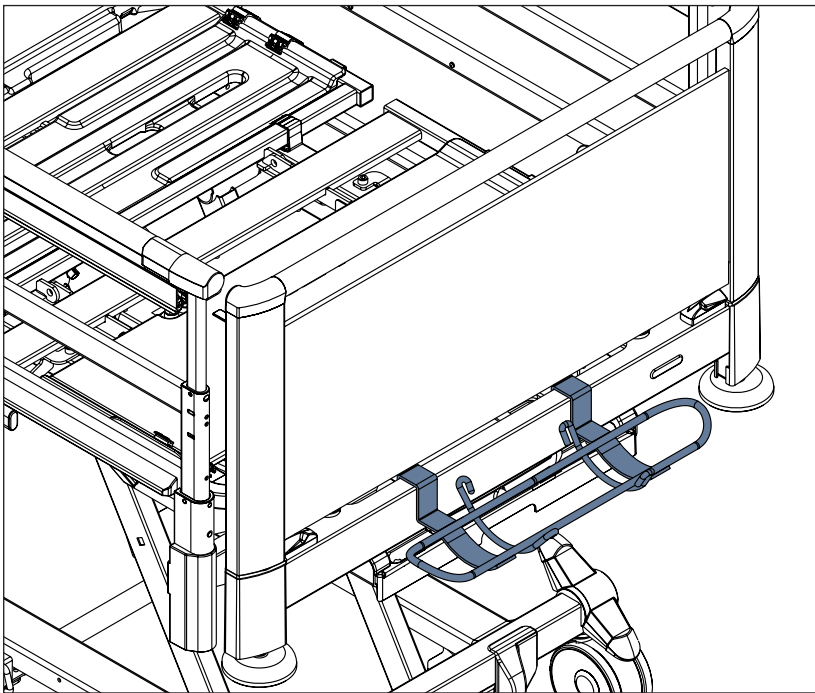


Fig. Horizontal Oxygen Bottle Holder under the HPL Foot Board

4.12 Urinary Bag Holder

Urinary Bag Holder is intended for holding the urinary bags.

Urinary Bag Holder is intended to be placed on the Accessory Rail towards the centre of the bed.

Maximum Load of the Urinary Bag Holder is 5 kg.

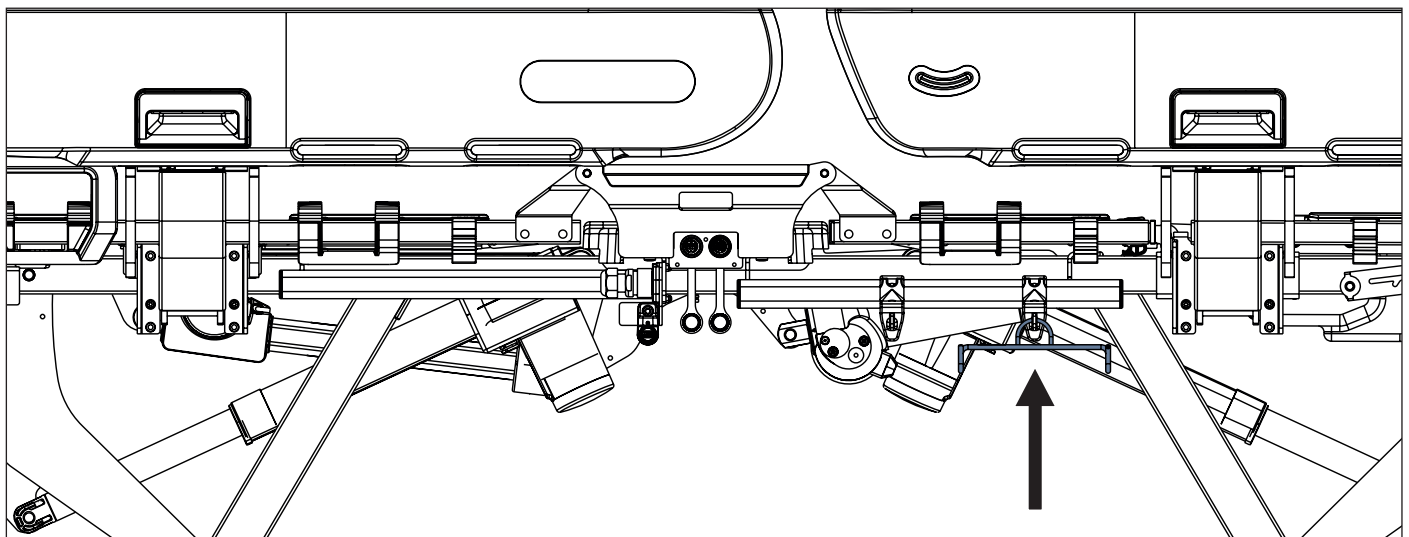


Fig. Urinary Bag Holder hanging from the hook on the Accessory Rail

4.13 Urinary Bottle Holder

Urinary Bottle Holder is intended for holding the compatible urinary bottles.

4.13.1 Urinary Bottle Holder for Plastic Siderails

Urinary Bottle Holder for Plastic Siderails is intended to be placed on the Accessory Rail or on the plastic Foot Siderail.

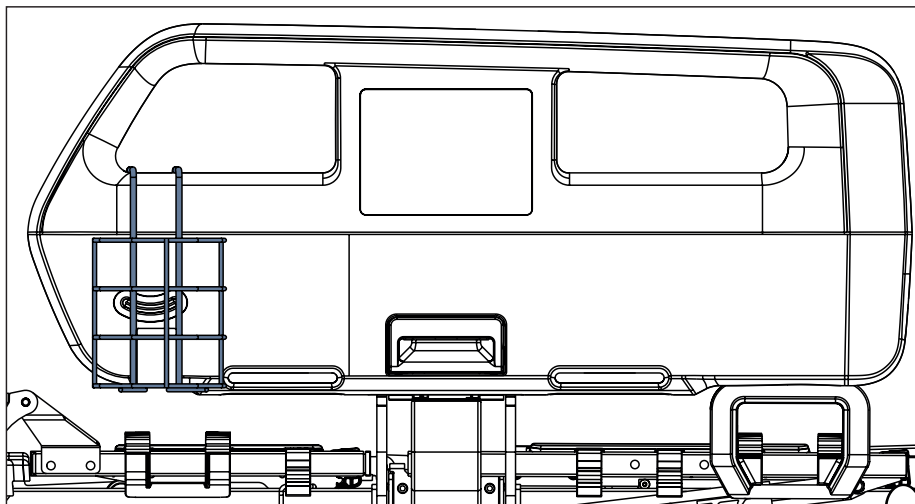


Fig. Urinary Bottle Holder hanging from the right window in the Plastic Foot Siderail

4.13.2 Urinary Bottle Holder for Telescopic Siderails

Urinary Bottle Holder for Telescopic Siderails is intended to be suspended from the holder between Telescopic Siderails.

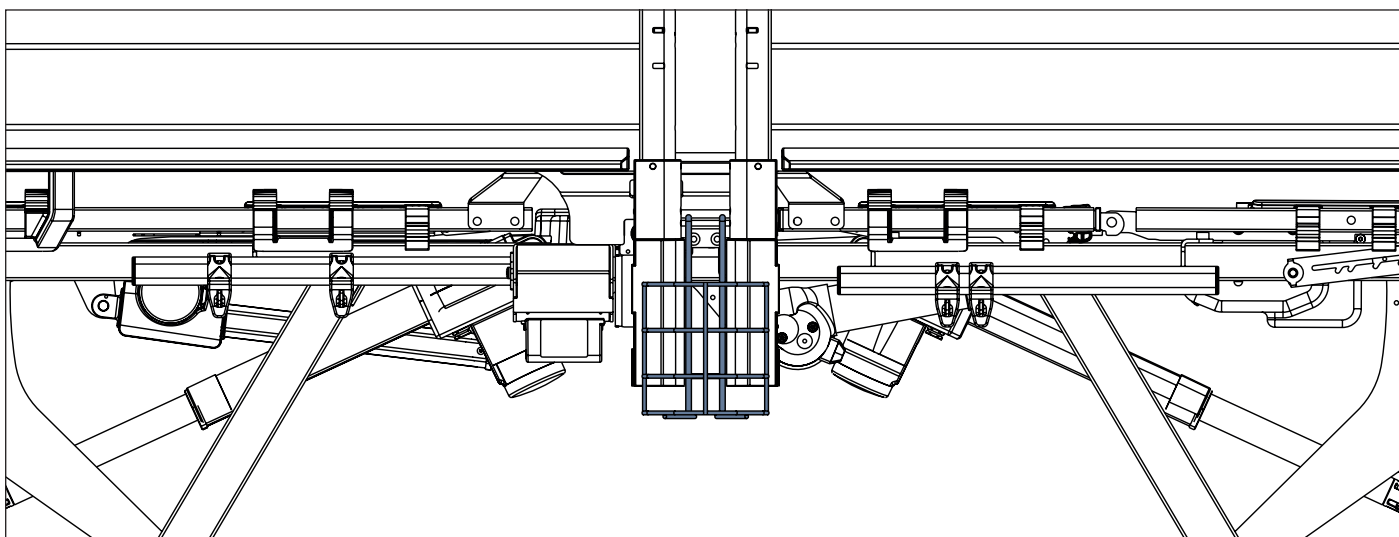


Fig. Urinary Bottle Holder between the Telescopic Siderails

4.13.3 Urinary Bottle Holder for Collapsible Siderails

Urinary Bottle Holder for Collapsible Siderails is intended to be placed on the Accessory Rail.

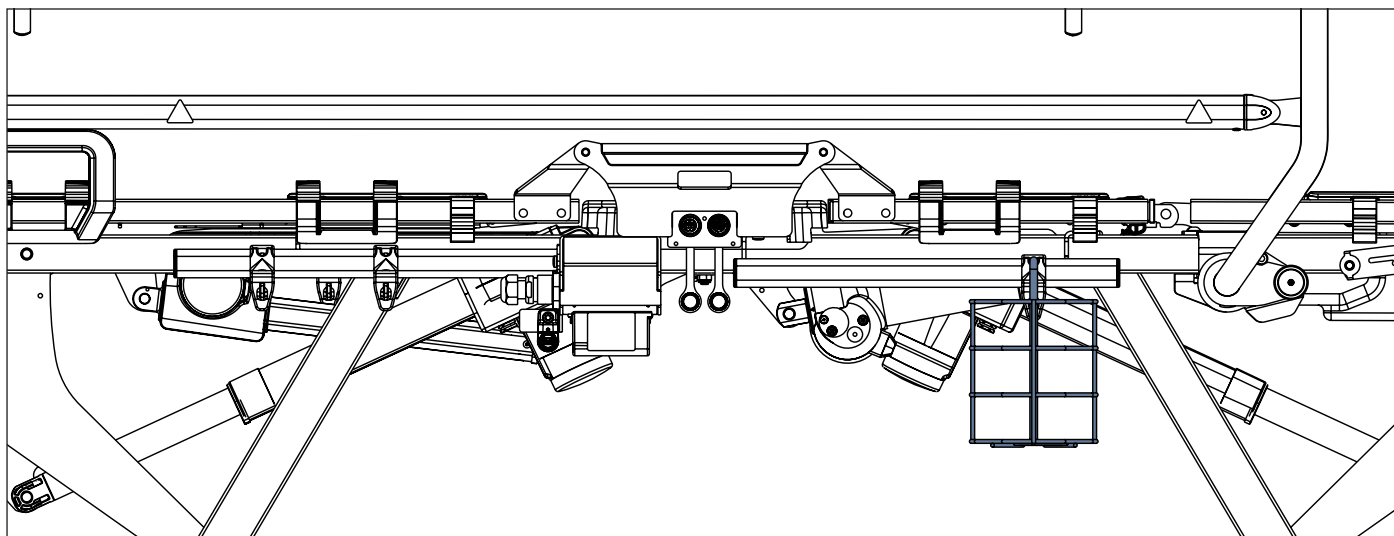


Fig. Urinary Bottle Holder in the hook on the Accessory Rail

4.14 Redon Bottle Holder

Redon Bottle Holder is intended for holding redon bottles.

Redon Bottle Holder in configuration with Plastic Siderails is intended to be placed on the Accessory Rail under the Backrest only.

Redon Bottle Holder in configuration with Collapsible Siderails is intended to be placed on any Accessory Rail.

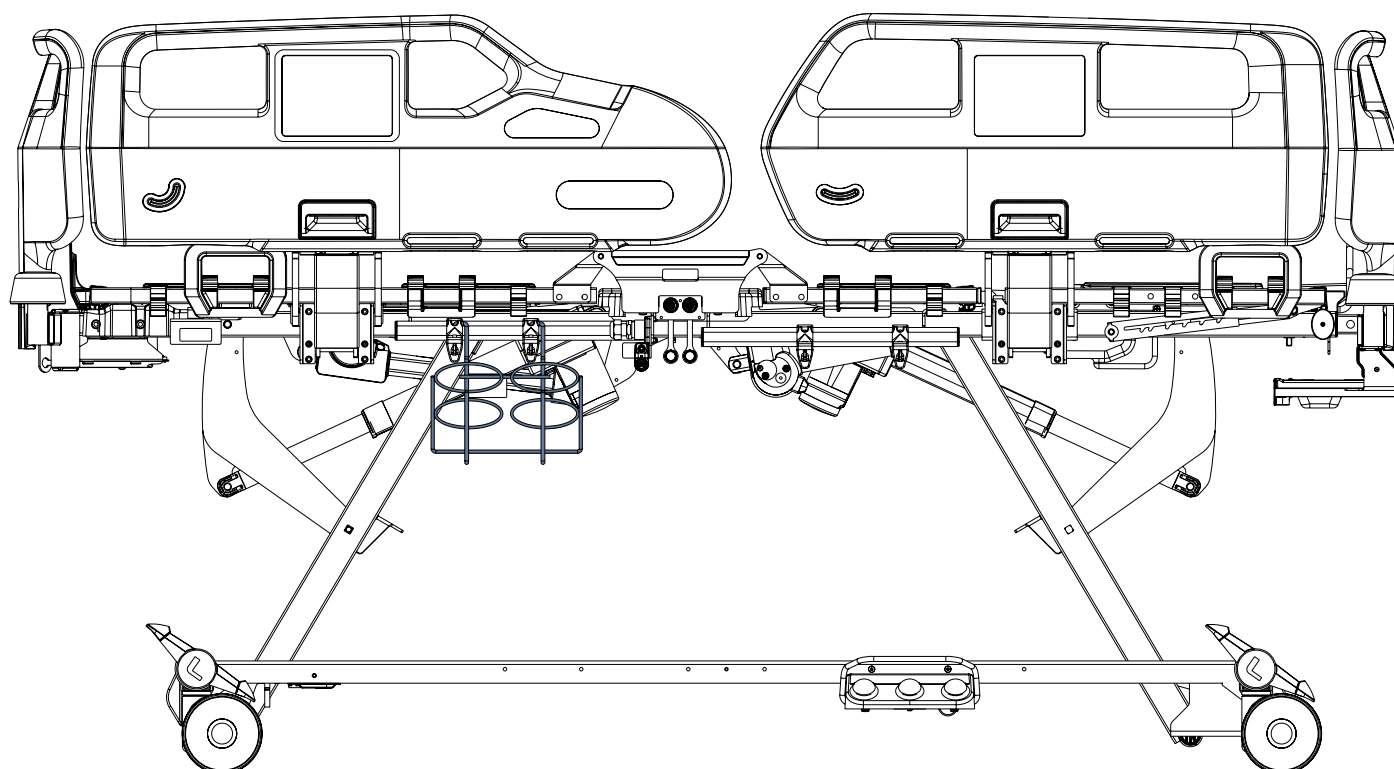


Fig. Redon Bottle Holder on the Accessory Rail under the Backrest of the bed with Plastic Siderails

4.15 Crutch Holders

Crutch Holder is intended for holding the pair of crutches only.

Crutch Holder **1102070000000** is intended to be placed on the bed plastic foot board or bed plastic head board only.

Crutch Holder **11021100A0000** is intended to be placed on the bed HPL foot board or bed HPL head board only.

Maximum diameter of a compatible crutch tube under the crutch handle is 3 cm. Minimum diameter of a compatible crutch tube under the crutch handle is 2 cm. Maximum even load of the Crutch Holder is 3 kg.

To place a compatible crutch to the Crutch Holder:

- ▶ Insert a compatible crutch tube under the crutch handle to the Crutch Holder (1).

To remove a compatible crutch from the Crutch Holder:

- ▶ Take the crutch out of the Crutch Holder by moving it outwards towards you (2).

4.15.1 Crutch Holder for Plastic Foot Board

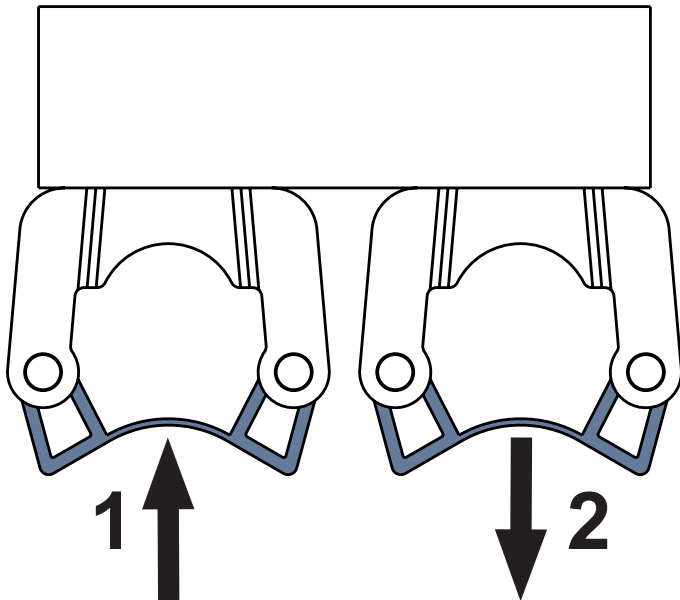


Fig. Crutch Holder 1102070000000

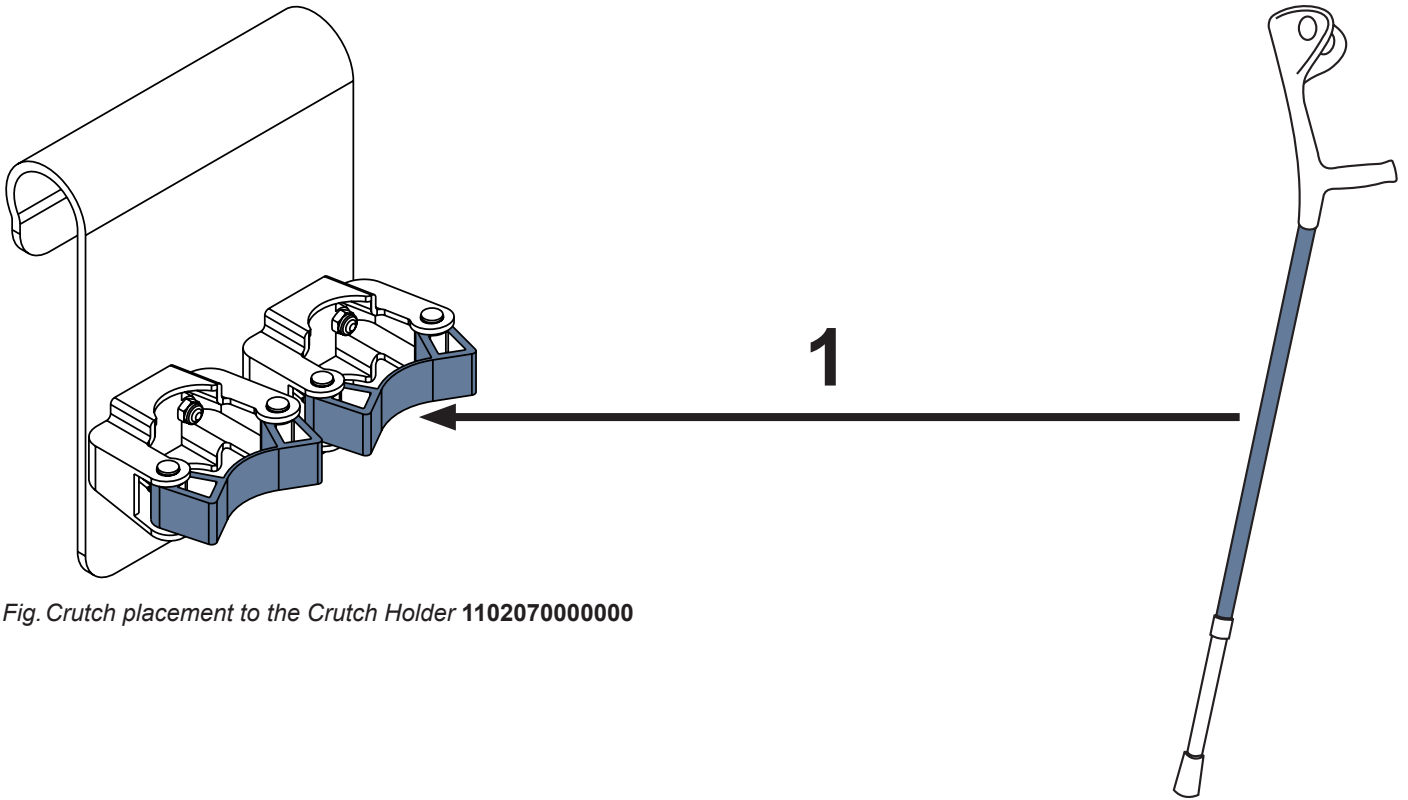


Fig. Crutch placement to the Crutch Holder 1102070000000

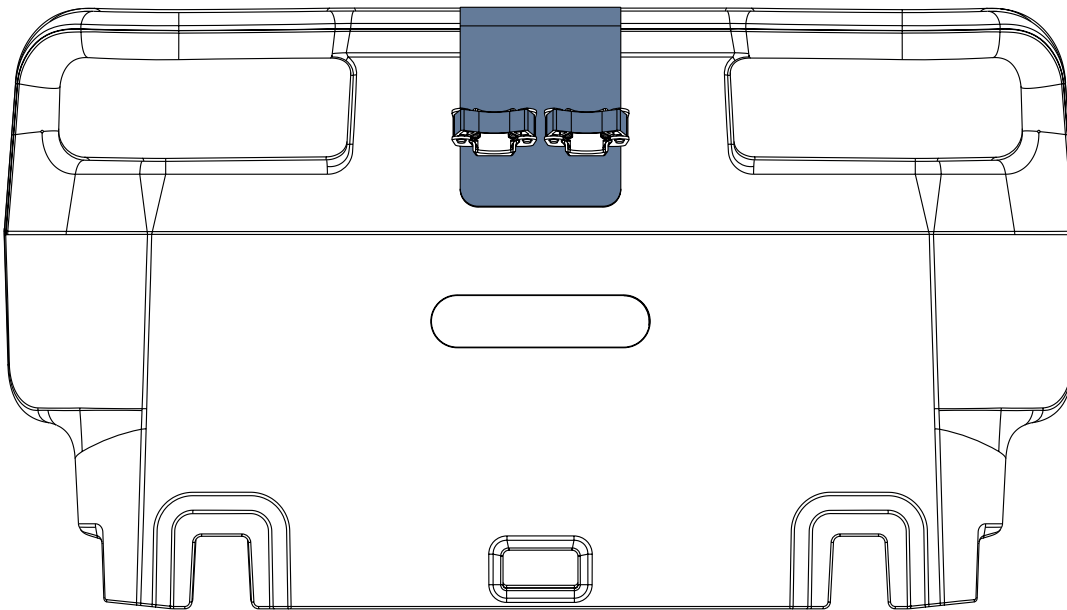


Fig. Crutch Holder 1102070000000 on the Plastic Foot Board

4.15.2 Crutch Holder for HPL Foot Board

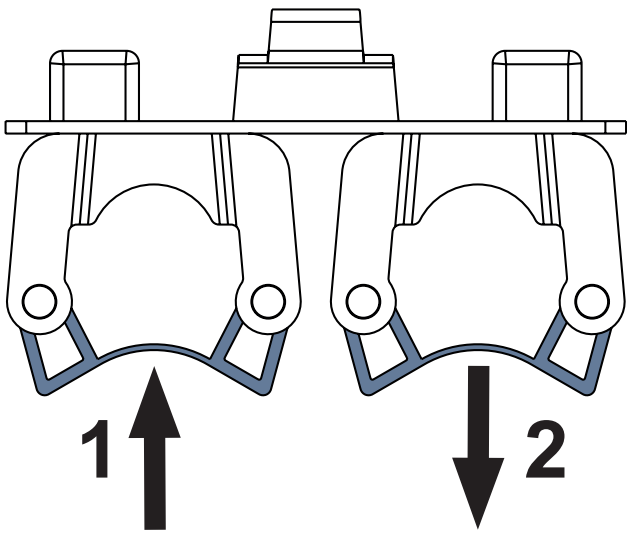


Fig. Crutch Holder 11021100A0000

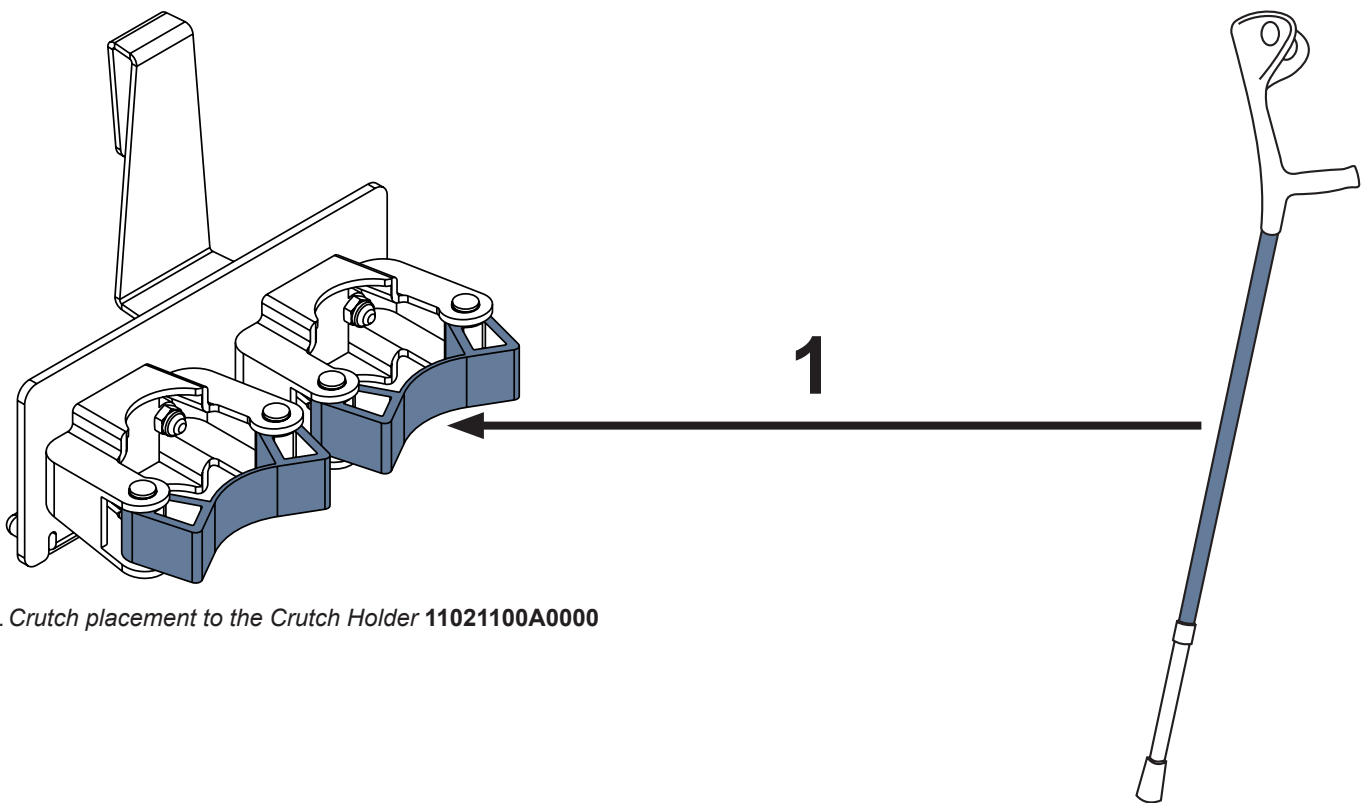
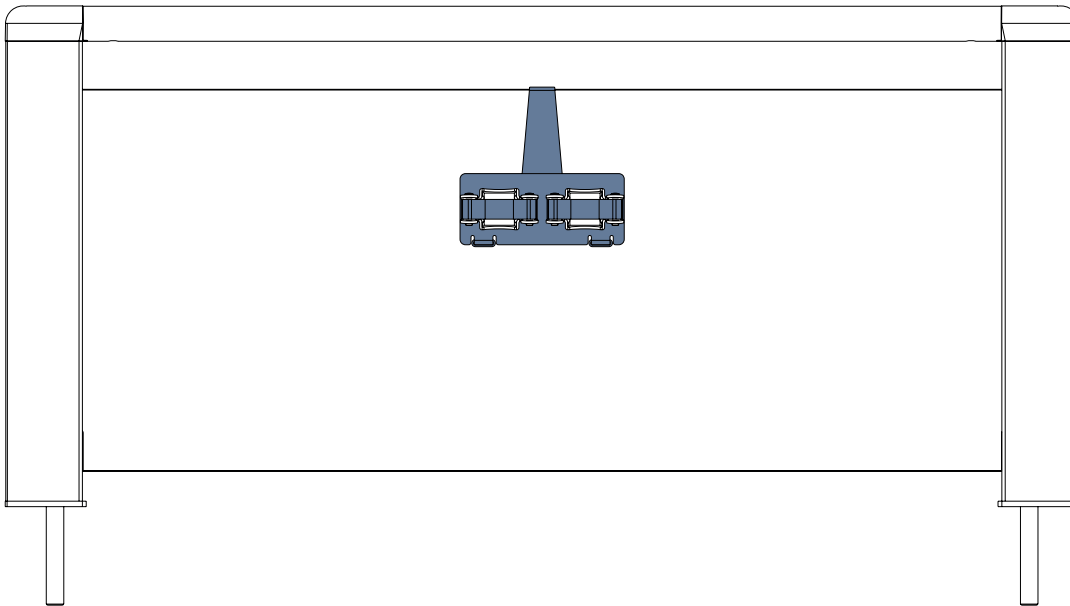


Fig. Crutch placement to the Crutch Holder 11021100A0000



*Fig. Crutch Holder **11021100A0000** on the HPL Foot Board*

4.16 Towel Holder

Towel Holder is intended for holding towels or linens.

4.16.1 Towel Holder for Plastic Foot Board

Towel Holder for Plastic Foot Board is intended to be suspended from both windows in the Plastic Foot Board or Plastic Head Board.

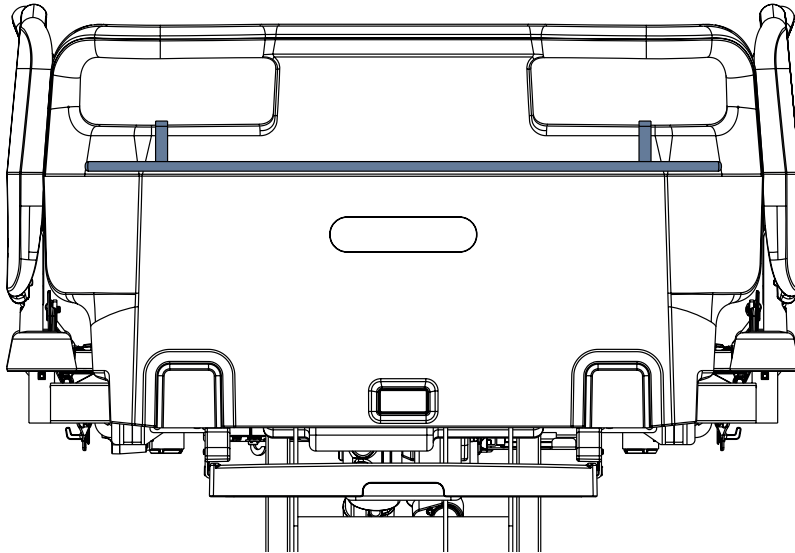


Fig. Towel Holder on the Plastic Foot Board

4.16.2 Towel Holder for HPL Foot Board

Towel Holder for HPL Foot Board is intended to be suspended from the upper edge of the HPL part of the HPL Foot Board or HPL Head Board.

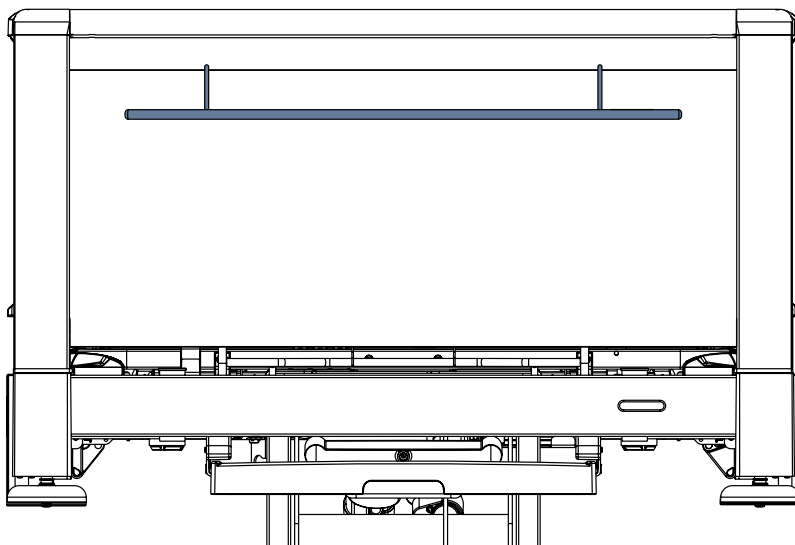


Fig. Towel Holder on the HPL Foot Board

4.17 Name Holder

Name Holder is intended for holding a card with patient's name.

4.17.1 Name Holder for Plastic Foot Board

Name Holder for Plastic Foot Board is intended to be placed on the upper edge of the Plastic Foot Board or Plastic Head Board.

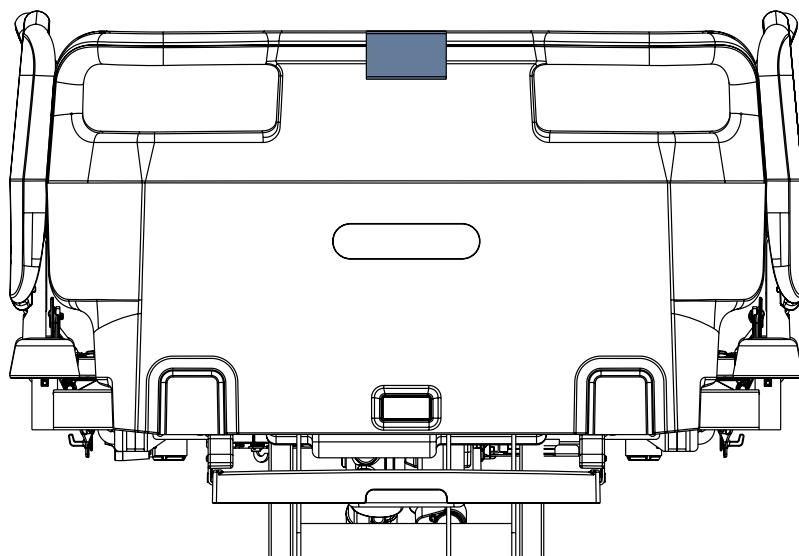


Fig. Name Holder on the Plastic Foot Board

4.17.2 Name Holder for HPL Foot Board

Name Holder for HPL Foot Board is intended to be placed on the upper edge of the HPL part of the HPL Foot Board or HPL Head Board.

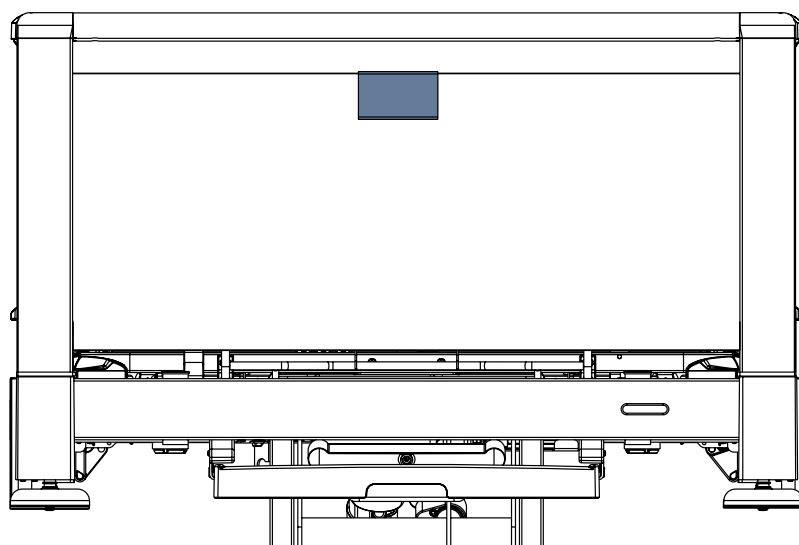


Fig. Name Holder on the HPL Foot Board

4.18 Chart Holder

Chart Holder is intended for holding a chart that is registering the development of health condition of the patient.

4.18.1 Chart Holder for Plastic Foot Board

Chart Holder for Plastic Foot Board is intended to be placed on the upper edge of the Plastic Foot Board or Plastic Head Board.

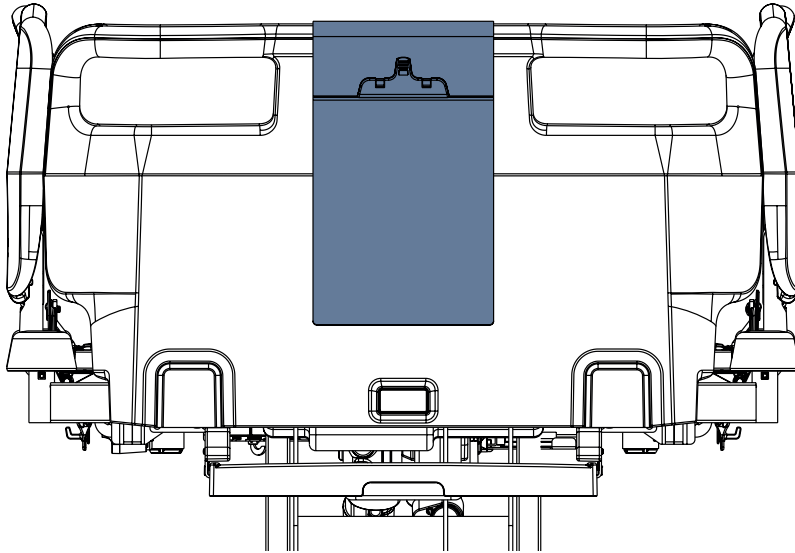


Fig. Chart Holder on the Plastic Foot Board

4.18.2 Chart Holder for HPL Foot Board

Chart Holder for HPL Foot Board is intended to be placed on the upper edge of the HPL part of the HPL Foot Board or HPL Head Board.

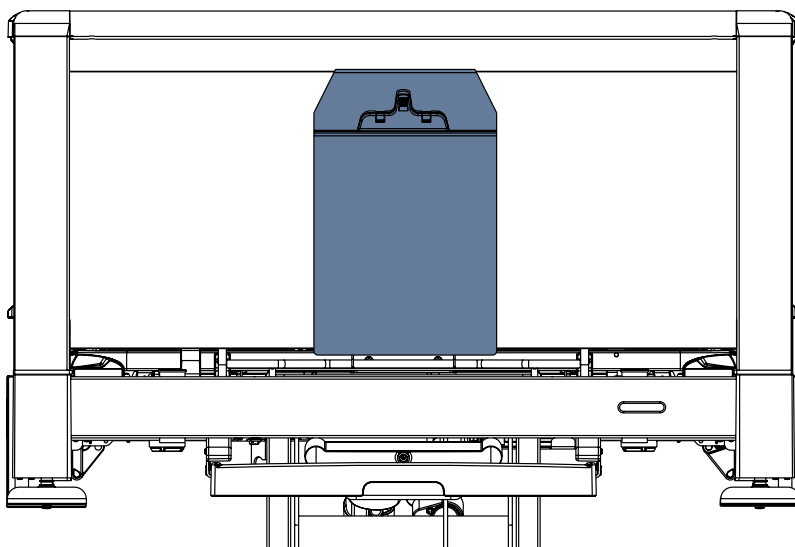


Fig. Chart Holder on the HPL Foot Board

4.19 Holder for Small Accessories

Holder for Small Accessories is intended to be placed on the Plastic Foot Board or Plastic Head Board or on the Plastic Siderails.

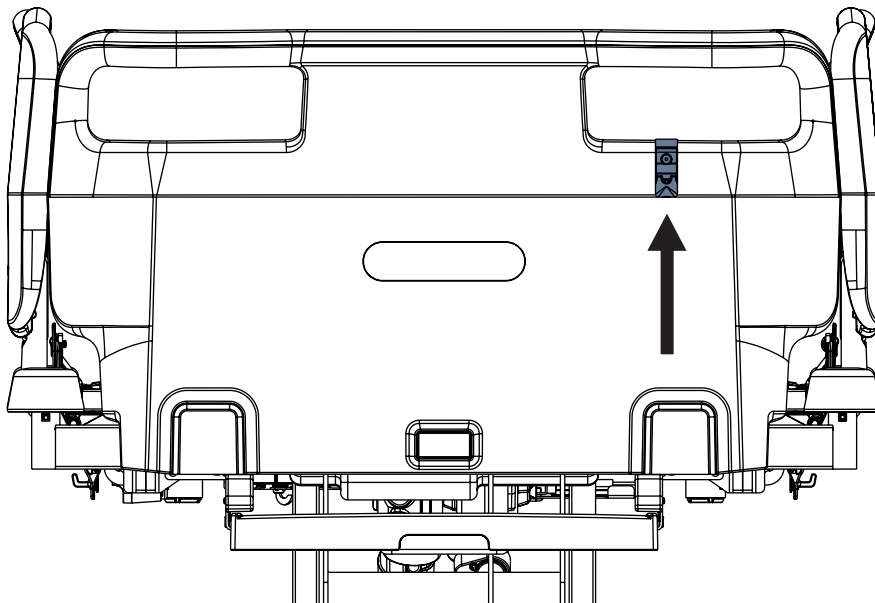


Fig. Holder for Small Accessories on the Plastic Foot Board

4.20 Hook for Small Accessories

Hook for Small Accessories is intended to be placed on the upper edge of the HPL part of the HPL Foot Board or HPL Head Board or on the Telescopic Siderails or on the DIN Rail if Telescopic Siderails are equipped with it.

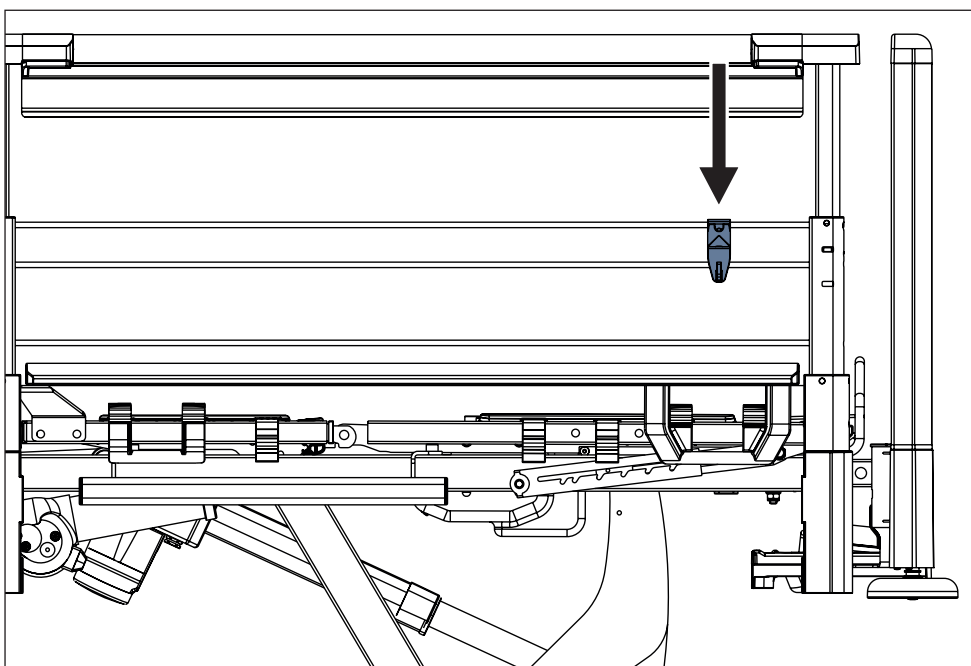


Fig. Hook for Small Accessories on the Telescopic Foot Siderail

4.21 Extender for Telescopic Siderails



WARNING!

Risk of injury due to incorrect installation!

- ▶ Ensure the Extender for Telescopic Siderails was installed correctly before use!
- ▶ Ensure the locking mechanisms of the Extender for Telescopic Siderails are locked correctly on the outside of a Telescopic Siderail before use!

Extender for Telescopic Siderails is intended to be placed on the Telescopic Siderails only.

The Extender for Telescopic Siderails can be used with the compatible mattresses with maximum mattress height 28 cm.

To lock the Extender for Telescopic Siderails on the selected Telescopic Siderail:

- ▶ Ensure the 3 locking mechanisms are not locked.
- ▶ Mount the Extender for Telescopic Siderails on the selected Telescopic Siderail upper bar.
- ▶ Start with the middle locking mechanism. Take the locking element and hitch it onto the hook on the upper part of the locking mechanism.
- ▶ Push the lower part of the locking element downwards to lock the Extender on the Telescopic Siderail.
- ▶ Repeat this procedure for 2 remaining locking mechanisms.
- ▶ Ensure the Extender for Telescopic Siderails is locked correctly.

1. Place for the Telescopic Siderail upper bar
2. Hook on the upper part of the locking mechanism
3. Locking element on the lower part of the locking mechanism

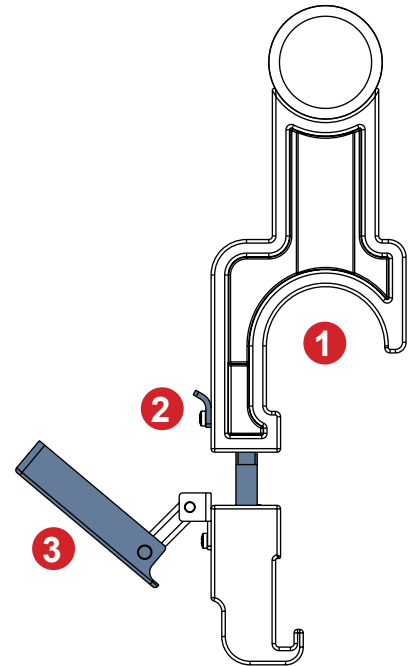


Fig. Description of the locking mechanism of the Extender for Telescopic Siderails

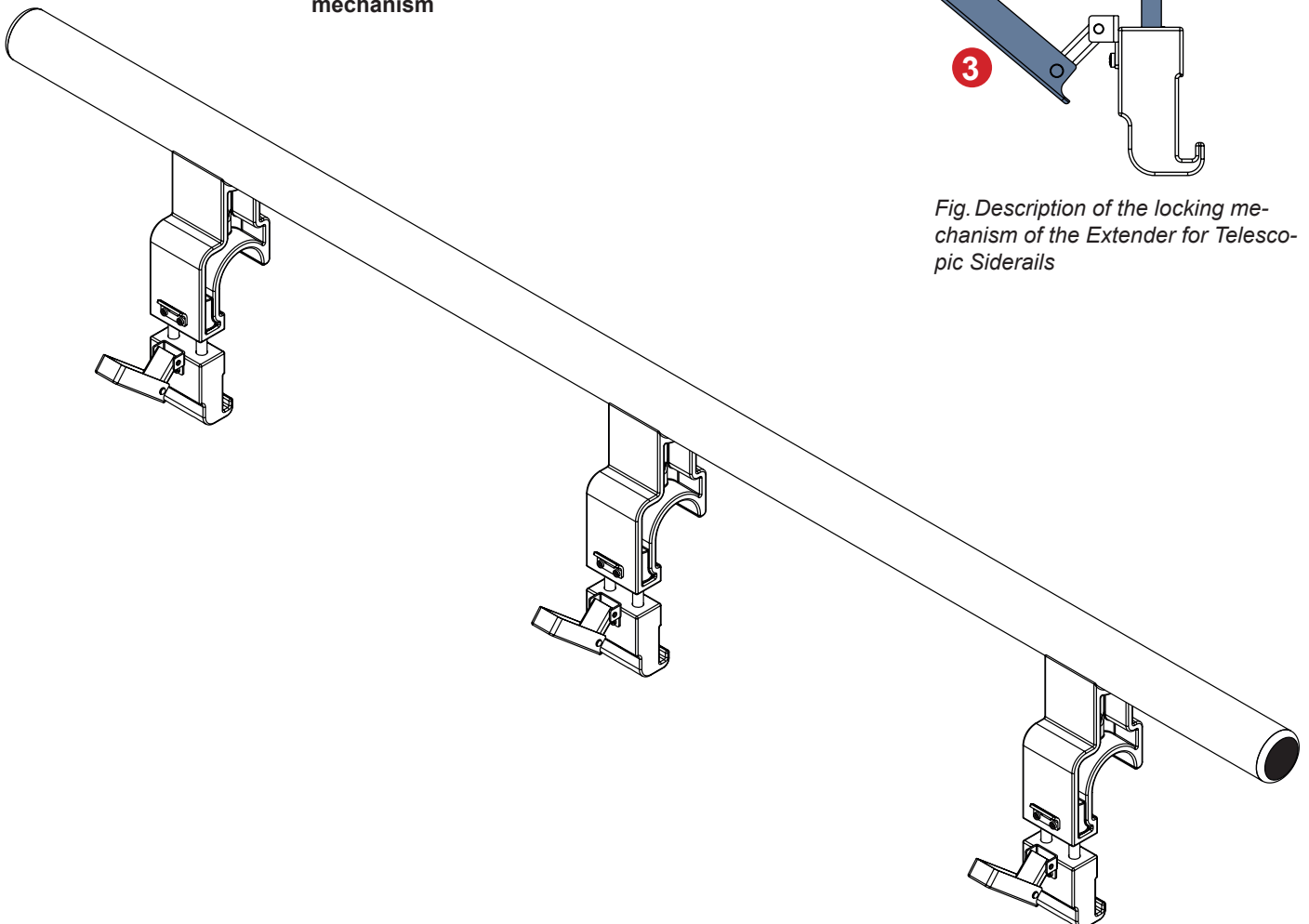


Fig. Extender for Telescopic Siderails

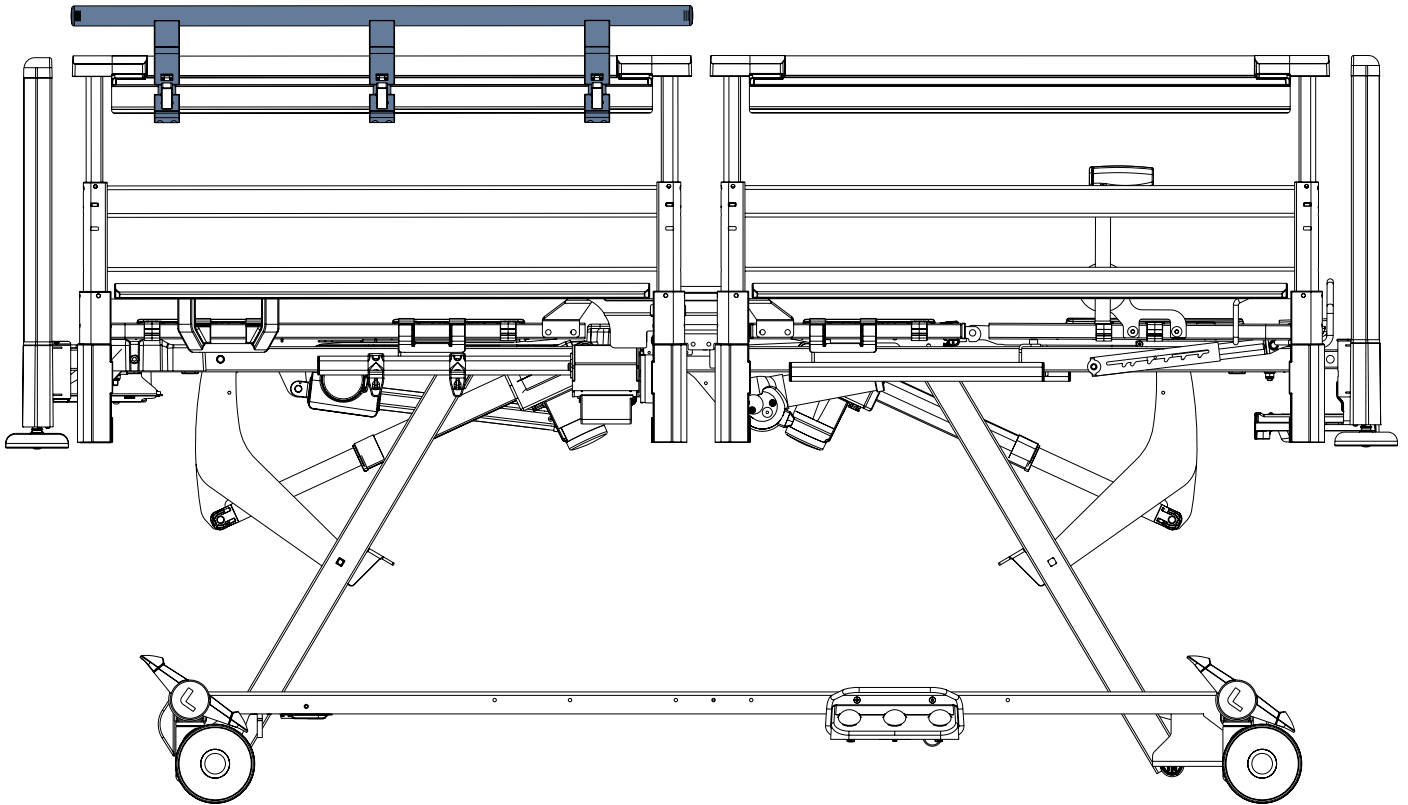


Fig. Extender for Telescopic Siderails in correct position on the siderail bar (the position with locking mechanisms on the outside of the Telescopic Siderail)

4.22 Extender for Collapsible Siderails



WARNING!

Risk of injury due to incorrect installation!

- ▶ Ensure the Extender for Collapsible Siderails was installed correctly before use! The rosette nuts are intended to be pointed out from the bed.



WARNING!

Risk of injury or collision due to incorrect use!

- ▶ The Extender can be used with Collapsible Siderails only. The manufacturer will not be held responsible for any consequences if the Extender is used with other types of siderails.
- ▶ Movement of the bed must be considered with extra care if the Extender is installed.
- ▶ Use of the Extender in a manner other than stated in these instructions for use is on the responsibility of personnel. The manufacturer shall not be held liable for incorrect use!

Extender for Collapsible Siderails is intended to be used if a mattress higher than the maximum mattress height was placed on the bed. The Extender is used to raise the height of the siderails and helps to secure patients safety. The Extender is designed for Collapsible Siderails only.

The Extender for Collapsible Siderails can be used with the compatible mattresses with maximum mattress height 26 cm.

Install the Extender as follows:

- ▶ Place the Extender on the upper edge bar of the collapsible siderail towards bed head end. Siderails must be in the upper position.
- ▶ Insert the screw from the inside of the bed through the securing hole in the Extender. The square hole is pointed into the mattress support platform.
- ▶ Secure the screw with the plastic rosette nut and tighten. The rosette nut is pointed out from the bed.
- ▶ Check that the Extender is secured correctly.

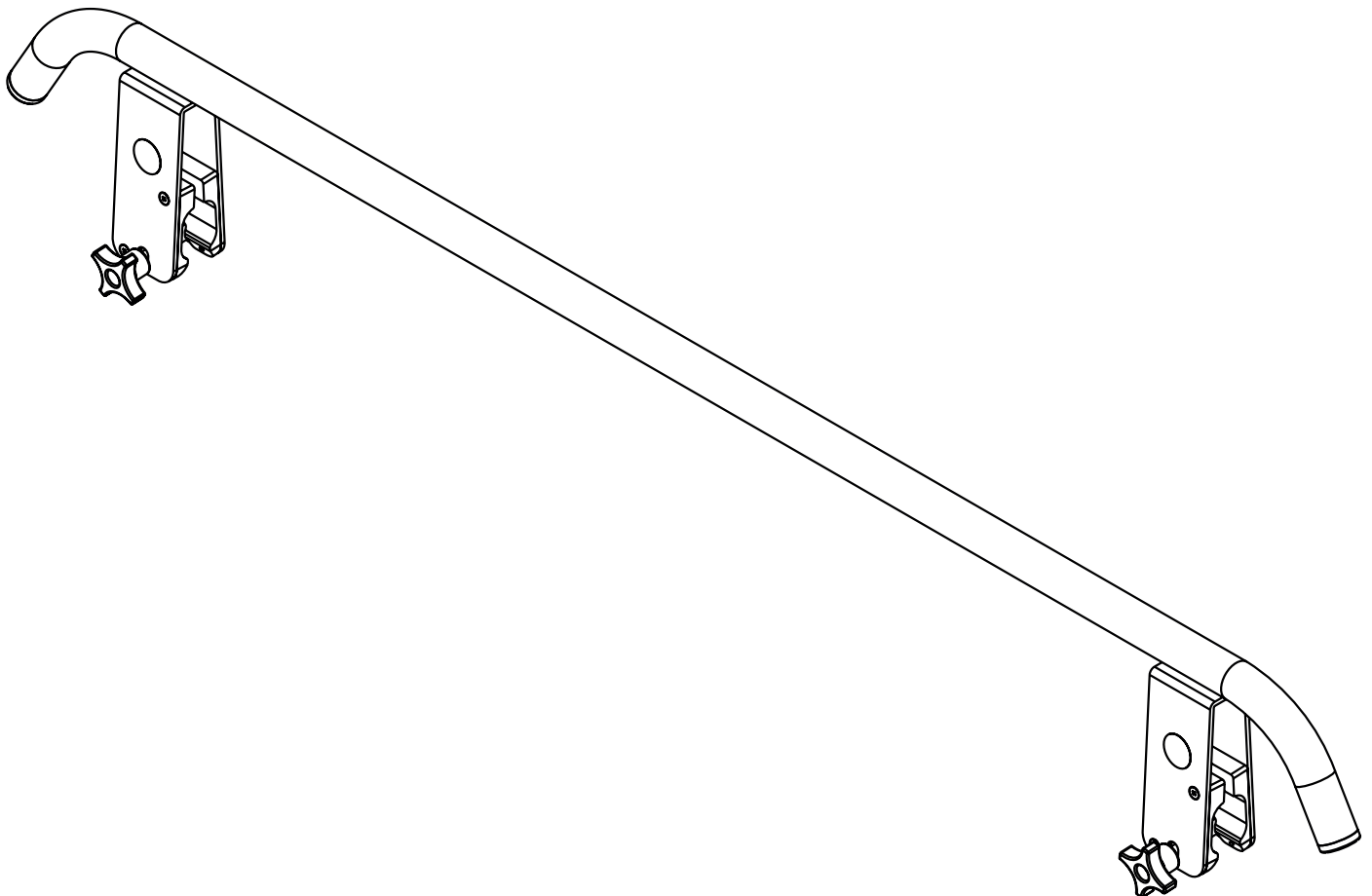


Fig. Extender for Collapsible Siderails

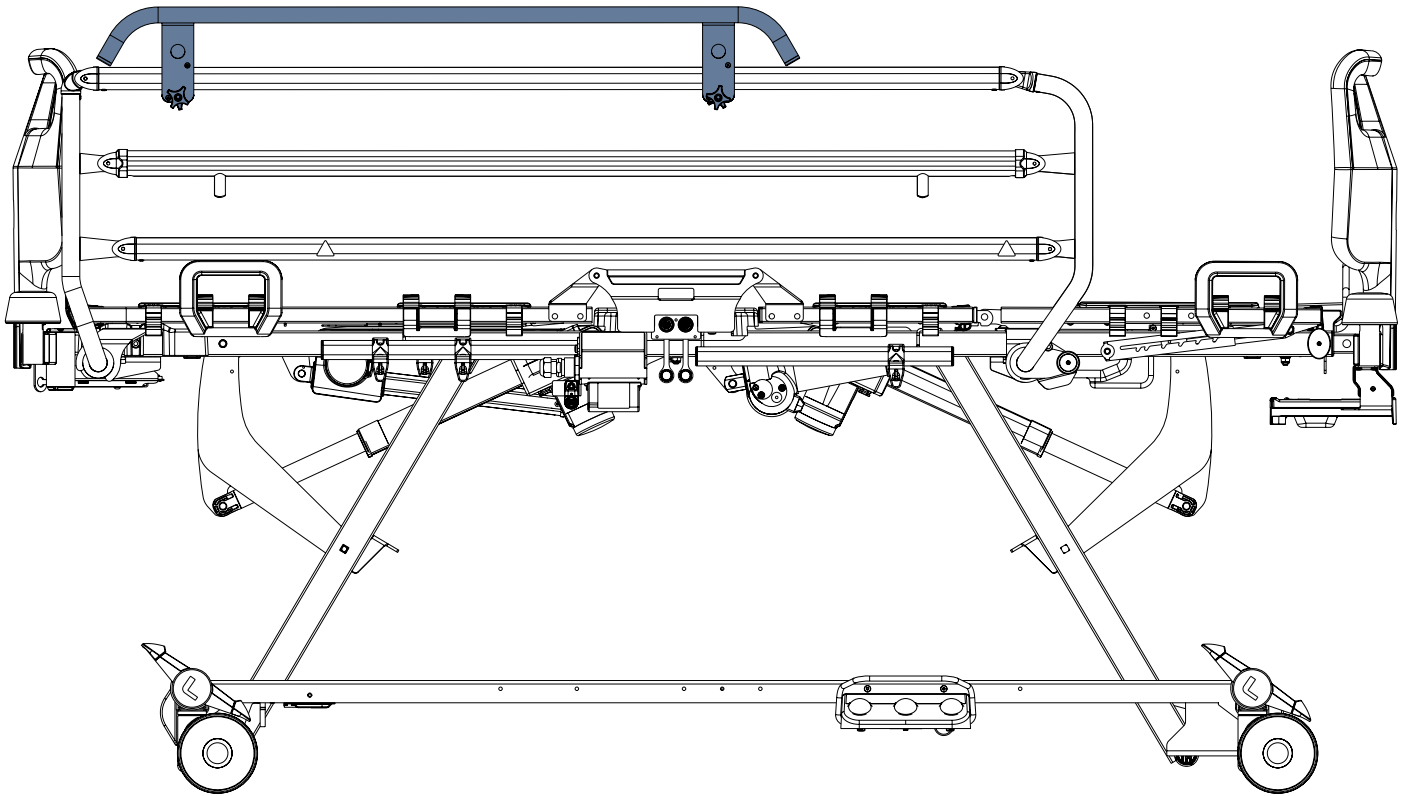


Fig. Extender for Collapsible Siderails in correct position on the siderail bar (the position with the rosette nuts on the outside of the Collapsible Siderail)

4.23 Handset Control Panel Holders

Handset Control Panel Holder is intended for holding the Handset Control Panel to facilitate patient's access to the Handset Control Panel. Handset Control Panel Holder is intended to be placed on the upper edge of the Telescopic Siderails. Vertical Handset Control Panel Holder and Horizontal Handset Control Panel Holder differ in the way how Handset Control Panel should be placed to the corresponding holder.

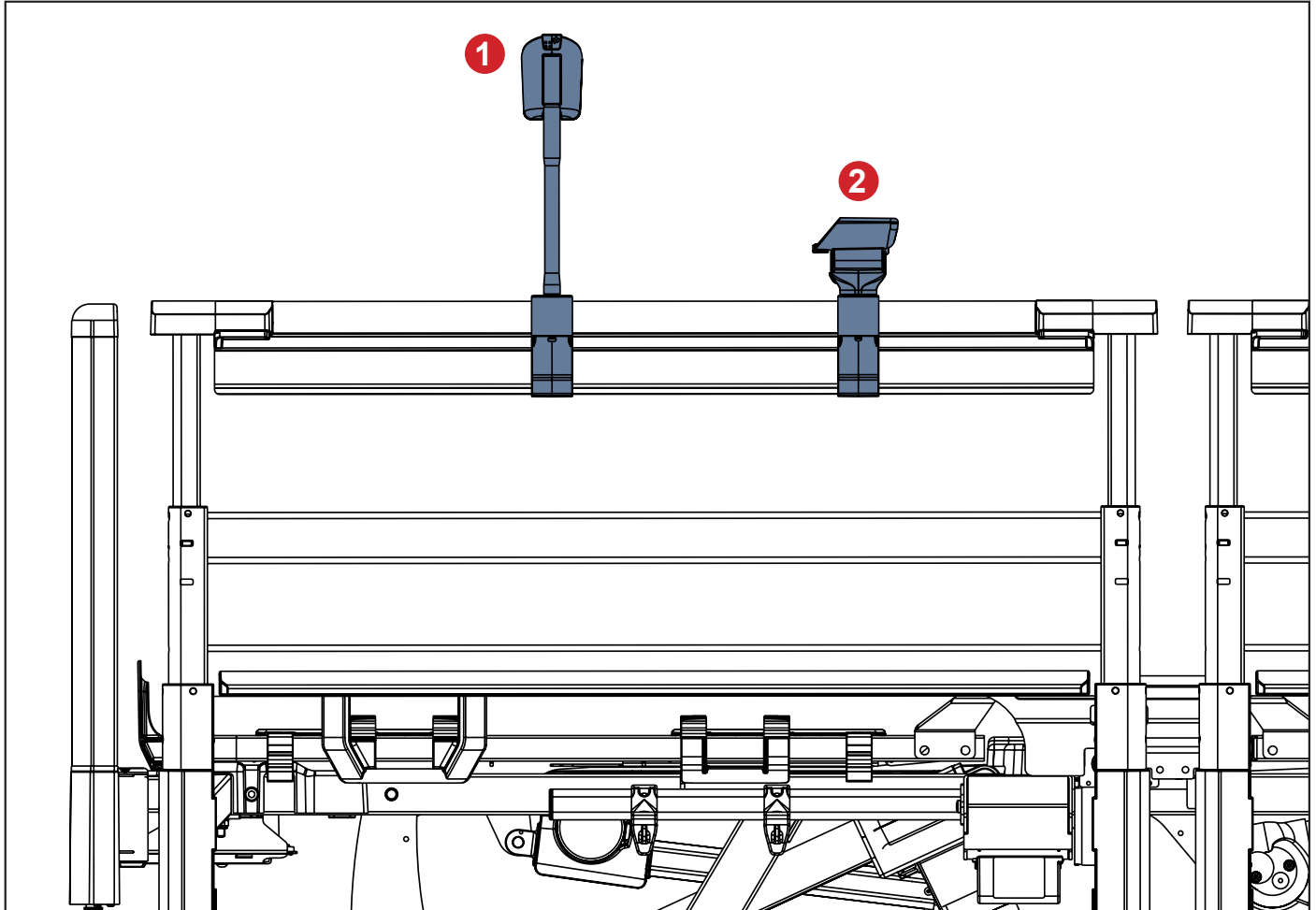


Fig. Handset Control Panel Holders on the head Telescopic Siderail

1. Vertical Handset Control Panel Holder
2. Horizontal Handset Control Panel Holder

4.24 Transparent Accessory Box



WARNING!

Risk of injury due to incorrect placement!

- ▶ Ensure any button of the control elements is not pressed by Transparent Accessory Box!
- ▶ Only place the Transparent Accessory Box on the Plastic Head Board or Plastic Foot Board or on the Telescopic Siderails!

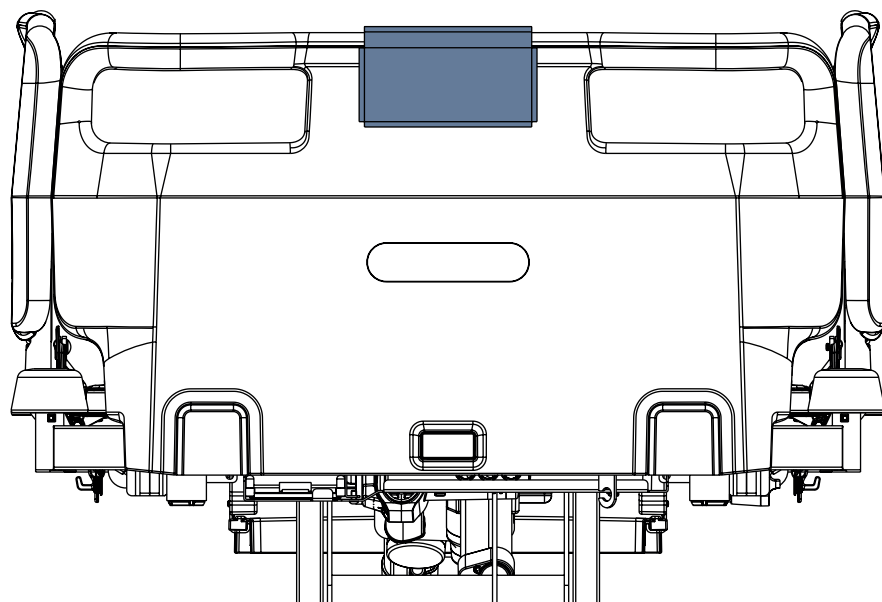


Fig. Transparent Accessory Box on the Plastic Head Board

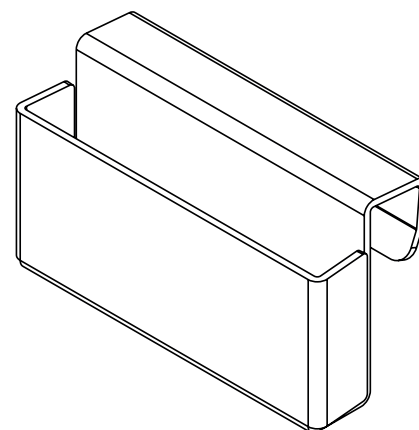


Fig. Transparent Accessory Box

4.25 Positioning Cushion

Positioning Cushion is intended to provide additional support for a patient during lateral tilting of the Essenza 300 bed with Lateral Tilt. Positioning Cushion is intended to be placed on the mattress.



Fig. Positioning Cushion

4.26 Telescopic Siderail Covers



WARNING!

Risk of injury due to the incorrect installation!

- ▶ Telescopic Siderail Cover must be installed on the Telescopic Siderail in the highest position.
- ▶ It is necessary to remove the Telescopic Siderail Cover from the Telescopic Siderail to make siderail control elements accessible. Medical personnel is responsible for assessing if the patient's state of health is in accordance with use of the Telescopic Siderail Cover!



CAUTION!

If the Telescopic Siderail Covers are used by different patients, ensure they are cleaned and disinfected in between these patients!

Telescopic Siderail Cover is intended to be placed on the Telescopic Siderail only.

One set of the Telescopic Siderail Covers consist of 2 covers.

Telescopic Siderail Covers are interchangeable.

Each Telescopic Siderail Cover contains foam cushioning which must be placed on the inner side of the Telescopic Siderail.

Check the top of the Telescopic Siderail Cover for any signs of damage.

Replace the whole Telescopic Siderail Cover if it is damaged.

Check the inside of the Telescopic Siderail Cover for signs of liquid ingress.

Replace the whole Telescopic Siderail Cover in the case of liquid ingress into the foam cushioning.

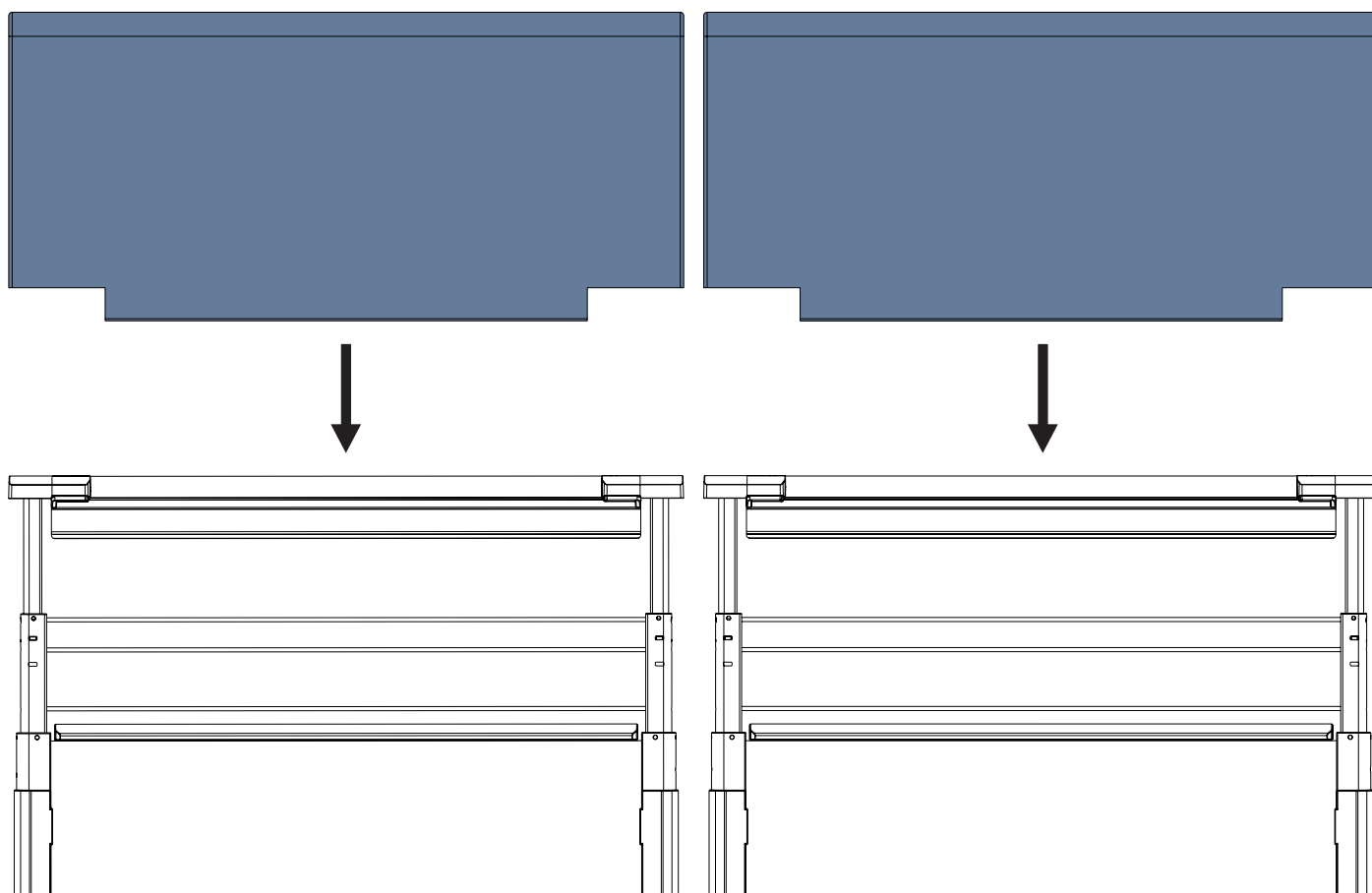


Fig. Placement of the Telescopic Siderail Covers on the Telescopic Siderails

To place the Telescopic Siderail Cover on the Telescopic Siderail correctly:

1. Put the Telescopic Siderail Cover on the selected Telescopic Siderail from the top downwards.
2. Ensure the Telescopic Siderail Cover fits well.
3. Zip the Telescopic Siderail Cover.

To clean the Telescopic Siderail Cover:

1. Clean the Telescopic Siderail Cover with warm water and cleaning detergent.
2. Rinse the Telescopic Siderail Cover with cold water.
3. Allow the Telescopic Siderail Cover to dry or wipe it dry.
4. Wipe the Telescopic Siderail Cover with disinfectant.
5. Wipe the Telescopic Siderail Cover with cold water.
6. Allow the Telescopic Siderail Cover to dry or wipe it dry.

To wash the Telescopic Siderail Cover:

1. Remove the foam cushioning from the Telescopic Siderail Cover. The foam cushioning is inserted into a separate pocket which can be unzipped from the inside of the cover.
2. Wash the Telescopic Siderail Cover in washing machine for 3 min at 71 °C.
3. Tumble dry the Telescopic Siderail Cover at low temperature.

4.27 Plastic Siderail Covers

Plastic Siderail Cover is intended to be placed on the Plastic Siderail only.

One set of the Plastic Siderail Covers consist of 4 covers.

Plastic Siderail Covers are not interchangeable.

Each Plastic Siderail Cover contains foam cushioning which must be placed on the inner side of the Plastic Siderail.

Identification label of the each Plastic Siderail Cover is marked with a letter related to the intended plastic siderail.

Letter **A** refers to the Plastic Siderail Cover intended for right head siderail.

Letter **B** refers to the Plastic Siderail Cover intended for right foot siderail.

Letter **C** refers to the Plastic Siderail Cover intended for left foot siderail.

Letter **D** refers to the Plastic Siderail Cover intended for left head siderail.

Check the top of the Plastic Siderail Cover for any signs of damage.

Replace the whole Plastic Siderail Cover if it is damaged.

Check the inside of the Plastic Siderail Cover for signs of liquid ingress.

Replace the whole Plastic Siderail Cover in the case of liquid ingress into the foam cushioning.

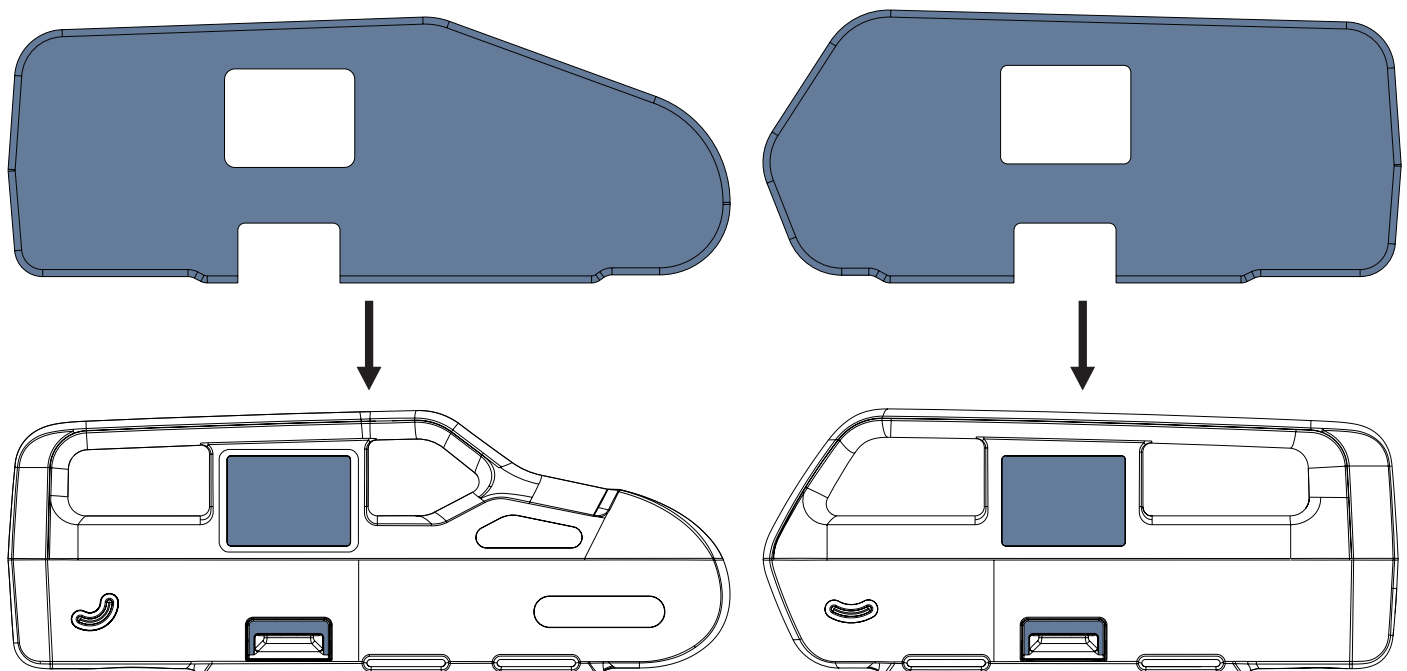


Fig. Placement of the Plastic Siderail Covers on the Plastic Siderails

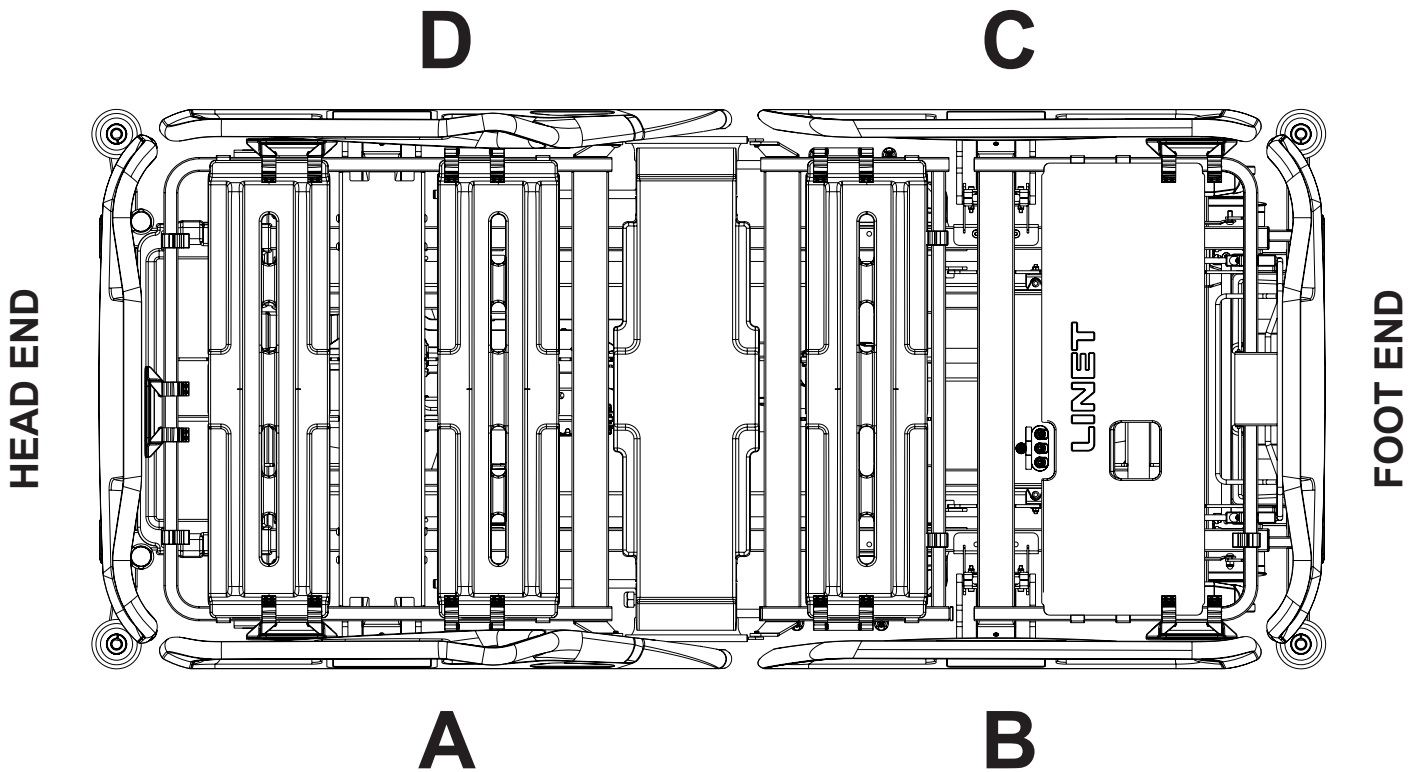


Fig. Positions of the Plastic Siderail Covers

To place the Plastic Siderail Cover on the Plastic Siderail correctly:

1. Put the Plastic Siderail Cover on the compatible Plastic Siderail from the top downwards.
2. Ensure the Plastic Siderail Cover fits well.
3. Zip the Plastic Siderail Cover.

To clean the Plastic Siderail Cover:

1. Clean the Plastic Siderail Cover with warm water and cleaning detergent.
2. Rinse the Plastic Siderail Cover with cold water.
3. Allow the Plastic Siderail Cover to dry or wipe it dry.
4. Wipe the Plastic Siderail Cover with disinfectant.
5. Wipe the Plastic Siderail Cover with cold water.
6. Allow the Plastic Siderail Cover to dry or wipe it dry.

To wash the Plastic Siderail Cover:

1. Remove the foam cushioning from the Plastic Siderail Cover. The foam cushioning is inserted into a separate pocket which can be unzipped from the inside of the cover.
2. Wash the Plastic Siderail Cover in washing machine for 3 min at 71 °C.
3. Tumble dry the Plastic Siderail Cover at low temperature.

4.28 SafeSense 3



WARNING!

Risk of injury due to incorrect use!

- ▶ Follow instructions for use of the SafeSense 3 Monitoring System carefully!



CAUTION!

Risk of incorrect installation due to incompatibility!

- ▶ **Essenza 300 bed is compatible with Stand-alone version of the SafeSense® 3 Monitoring System and with SafeSense® 3 Monitoring System in Version for Essenza 300. Essenza 300 bed must be SafeSense® 3 ready for use with SafeSense® 3 in Version for Essenza 300 so the compatibility depends on configuration of the bed.**

Purpose:

The SafeSense® 3 Monitoring System is intended to use for the automated, contactless and unobtrusive continuous mobility detection of patients in bed, bed exit and continuous wetness detection in the context of healthcare and nursing facilities.

Description of the SafeSense® 3 Monitoring System in Version for Essenza 300:

- SafeSense® 3 Hub
- Comb-like part securing connectors connected to the Hub
- Hub Holder for Essenza 300
- SafeSense® 3 Air Pad
- Air Hose
- Cables (Nurse Call cable, LAN cable)
- Holder of the interconnecting elements for Nurse Call cable and LAN cable
- Wetness Pad with Wetness Pad Cable (optionally)
- Four adhesive cable clips

Placement:

Hub Box must be safely placed on the accessory rail on the right side of the Essenza 300 bed under the Backrest. Air Pad must be fixed on the Backrest of the Essenza 300 bed and under the compatible mattress. Wetness Pad must be placed on the seat section of the compatible mattress and Air Hose and each cable must be safely installed according to the Instructions for use for SafeSense® 3 Monitoring System. LAN cable and Nurse Call cable must be correctly fixed in the 4 cable clips intended to be placed on the frame of mattress support platform. Recommended cable routing for Essenza 300 bed with Lateral Tilt differs from the recommended cable routing for Essenza 300 bed without Lateral Tilt.

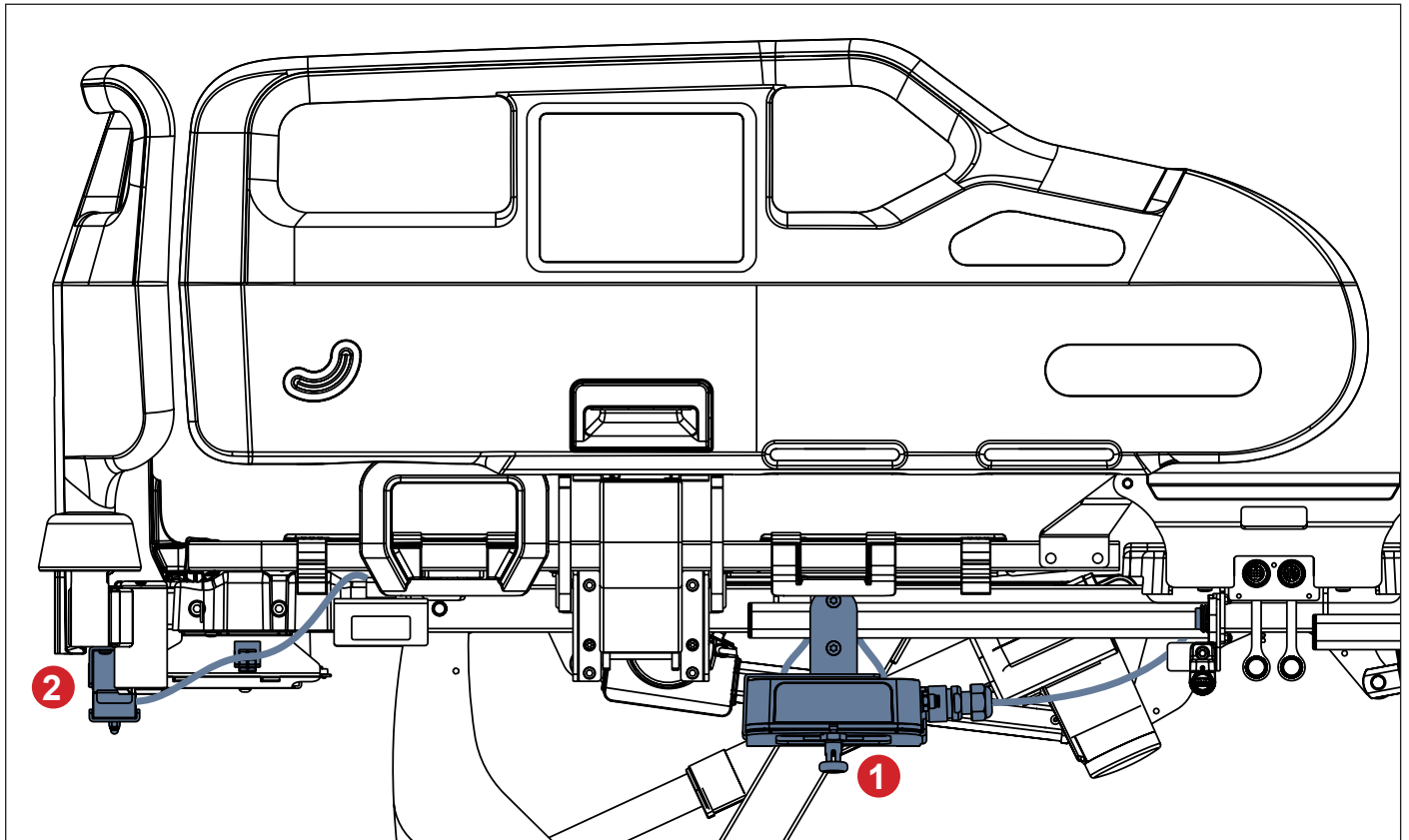


Fig. Essenza 300 bed without Lateral Tilt with SafeSense 3

1. SafeSense® 3 Hub
2. Holder of the interconnecting elements for Nurse Call cable and LAN cable

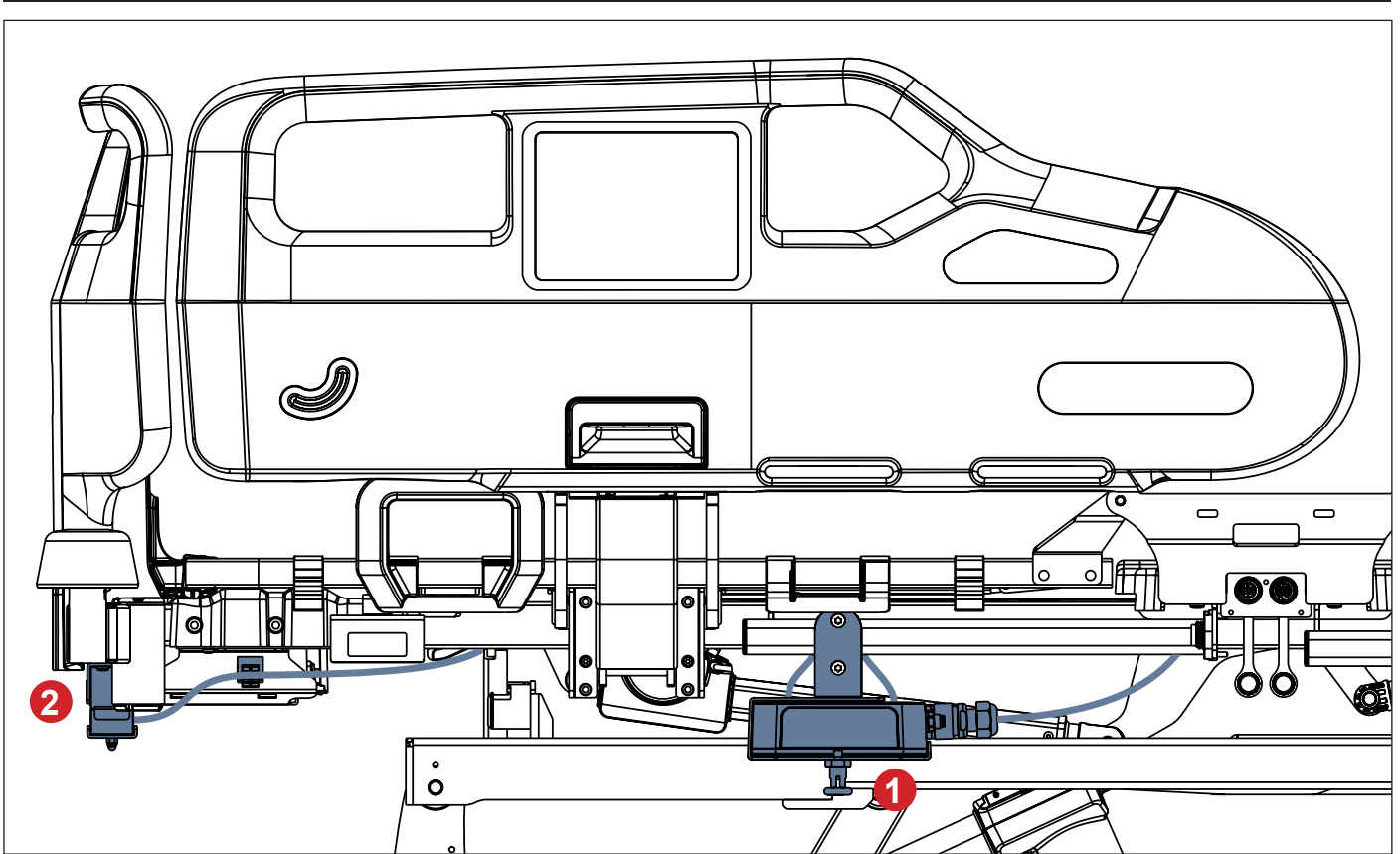


Fig. Essenza 300 bed with Lateral Tilt with SafeSense 3

- 1. SafeSense® 3 Hub**
- 2. Holder of the interconnecting elements for Nurse Call cable and LAN cable**

4.29 Traction Frame Z



WARNING!

Read Instructions for use of the Traction Frame Z before use of this product!



WARNING!

Risk of injury due to incorrect use!

- ▶ There must be no patient in bed when installing the Traction Frame Z!
- ▶ Avoid collisions between the Traction Frame Z and the bed (Foot Board and Backrest) during bed positioning!
- ▶ Avoid collisions between the Traction Frame Z and the other bed accessories!
- ▶ Do not transport the bed equipped with Traction Frame Z with patient or without patient!
- ▶ Do not adjust Lateral Tilt when the bed is equipped with the Traction Frame Z!
- ▶ Adjust bed extension only before placement of the Traction Frame Z into the bed!
- ▶ Ensure the positioning functions are locked not to be used by a patient in the bed with the Traction Frame Z!
- ▶ Respect the Safe Working Load of the bed, of the Traction Frame Z and of its hooks and pulleys!
- ▶ Remove the Traction Frame Z from the bed if it is not needed for treatment!
- ▶ Ensure and check regularly the fixing nodes of the Traction Frame Z are secured in intended positions!
- ▶ Essenza 300 bed with corner bumpers without accessory bushings is compatible with Traction Frame Z only if the bed is equipped with two Adaptors for Traction Frame Z!

Intended Use

Traction Frame Z is a supporting construction intended for fixation, traction and relief of limbs, spine and pelvis. Traction Frame Z is intended for orthopaedic department, surgery department, traumatologic department and for ICU.

Placement

Traction Frame Z is inserted to the bushings for Lifting Pole at bed head end and to the accessory bushings in the corner bumpers at bed foot end in the case of the Essenza 300 bed with corner bumpers with accessory bushings. Traction Frame Z is inserted to the bushings for Lifting Pole at bed head end and to the holes in the two Adaptors for Traction Frame Z at bed foot end in the case of the Essenza 300 bed with corner bumpers without accessory bushings. The Adaptors for Traction Frame Z are inserted and fixed in the bushings for accessories at bed foot end in the case of the Essenza 300 bed with corner bumpers without accessory bushings.

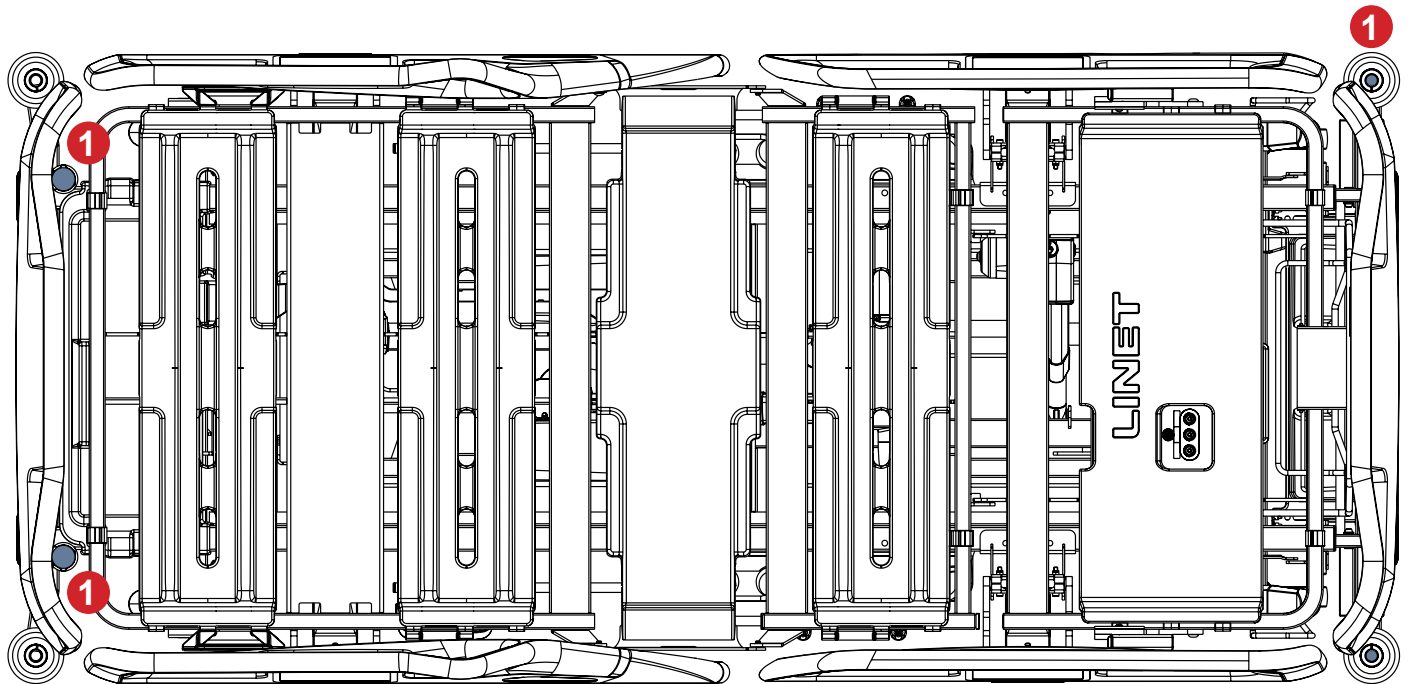


Fig. Positions for Traction Frame Z (1) in the case of the bed with corner bumpers with accessory bushings

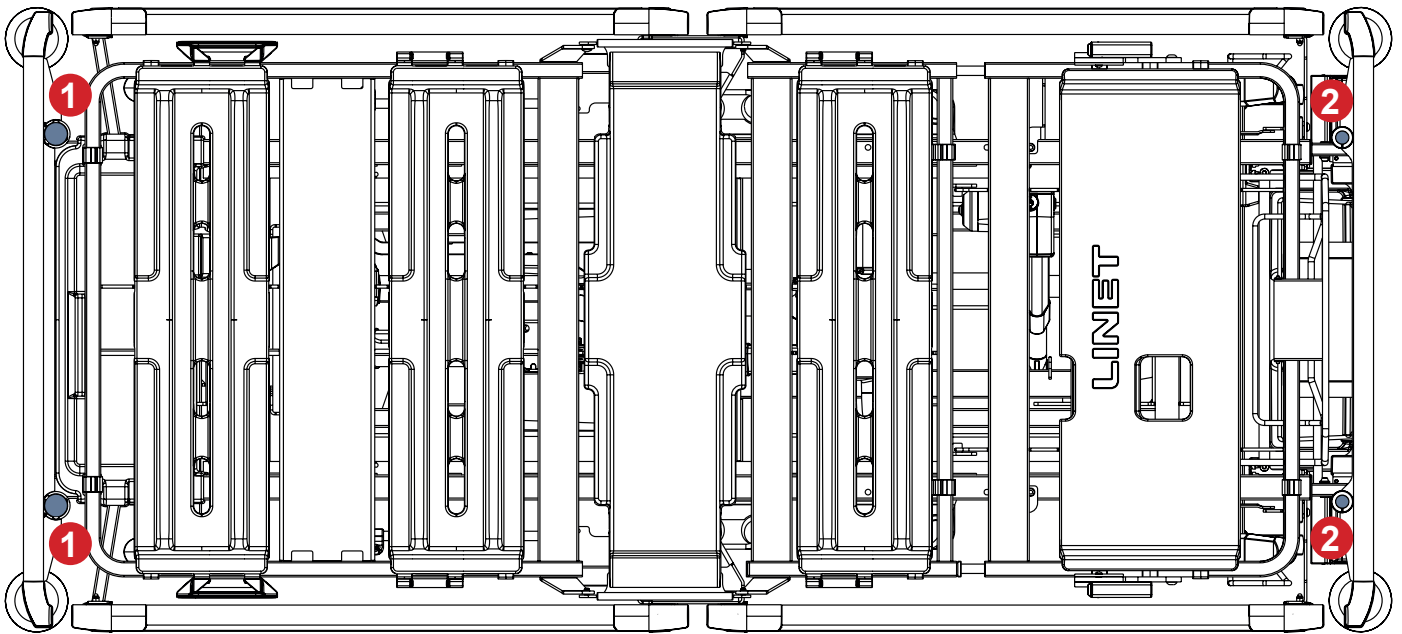


Fig. Positions for Traction Frame Z (1) and for two Adaptors for Traction Frame Z (2) in the case of the bed with corner bumpers without accessory bushings

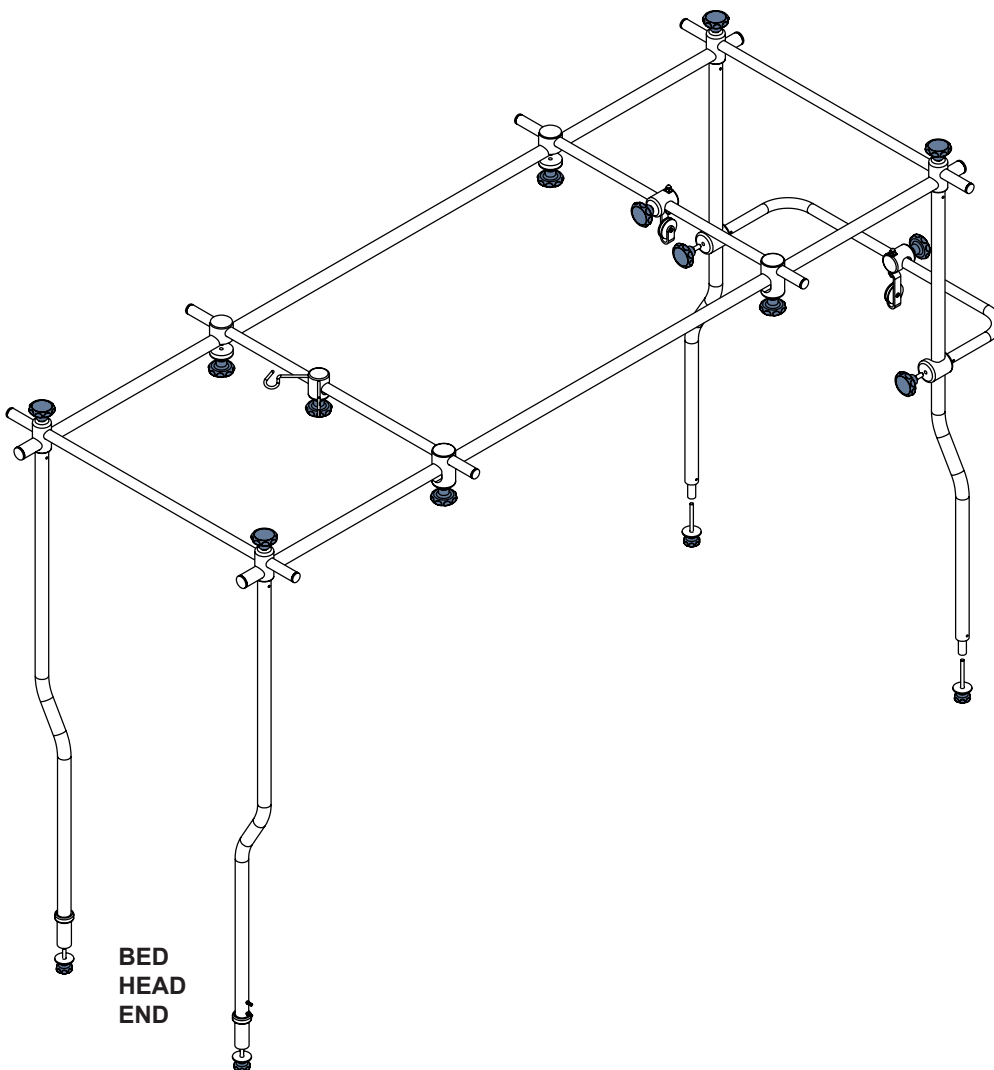


Fig. Traction frame Z without two Adaptors for Traction Frame Z

4.30 Reading Lamp



WARNING!

Read Instructions for use of the Reading Lamp (Series 8) before use of this product!



WARNING!

Risk of injury due to incorrect use!

- ▶ Patient is allowed to use the Reading Lamp only if hospital personnel had assessed that the patient's physical and psychological state is in accordance with use of it and only if the hospital personnel had trained the patient in accordance with the instructions for use! Hospital personnel is responsible for plugging the Reading Lamp into the mains.
- ▶ Never cover the Reading Lamp up!
- ▶ Never look directly into the light! Bright light can damage your eyes.
- ▶ Do not use any explosive or flammable substances near the Reading lamp to avoid the fire and explosion hazard! Ensure the top of the Reading Lamp is at least 15 cm away from the other objects!



CAUTION!

Risk of material damage due to the incorrect power cable placement!

- ▶ Hospital personnel is responsible for running the Reading Lamp power cable between bed head board and siderail. Do not place the power cable under the head board or over the head board! Ensure the power cable is not squeezed by siderail or by parts of the mattress support platform!

Reading Lamp is intended for patients to enable them to read in bed.
Reading Lamp must be placed in the undercarriage Accessory Adaptors or in the bushings at head end of the mattress support platform.

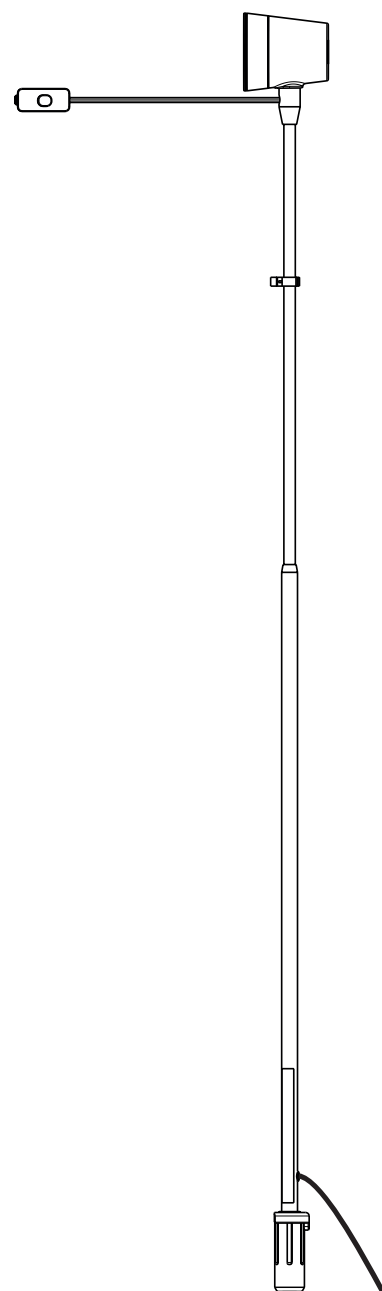


Fig. Reading Lamp

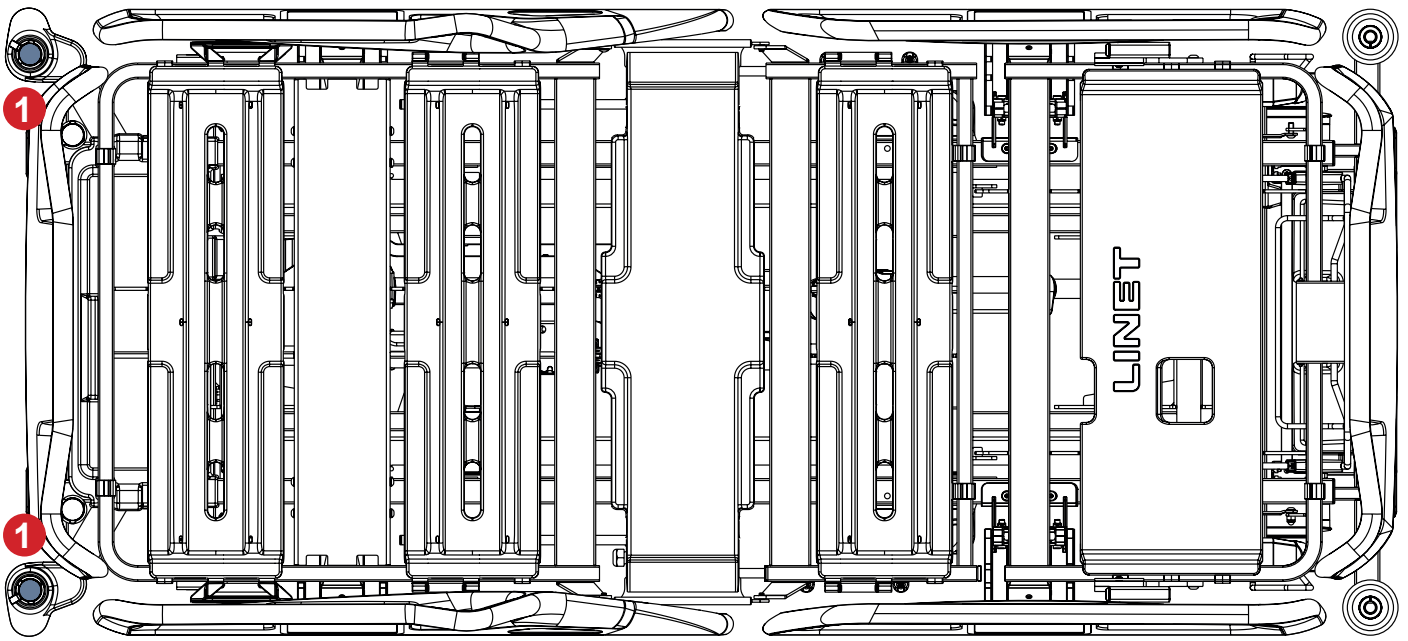


Fig. Accessory Adaptors for Reading Lamp (1) in the bed undercarriage

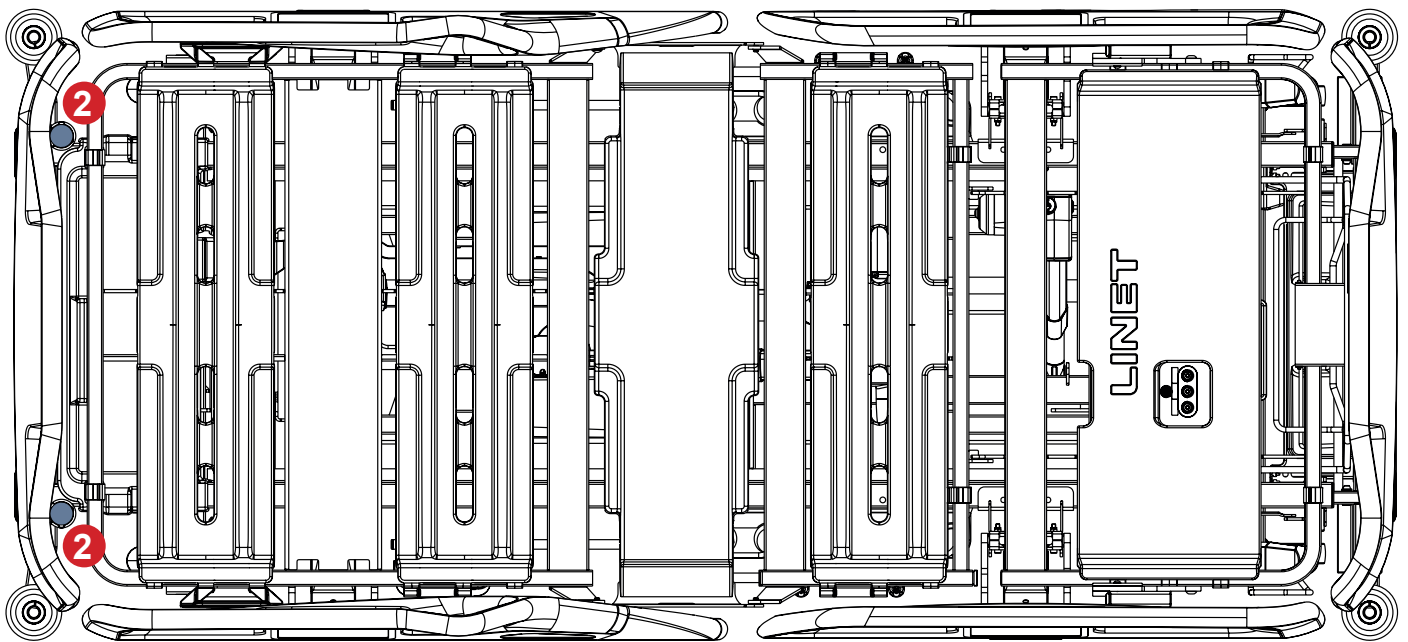


Fig. Bushings for Reading Lamp (2) at head end of the mattress support platform

4.31 Traction Frame D Holder for Foot Board with One Safety Lock



WARNING!

Read Instructions for use of the Traction Frame D before use of this product!



WARNING!

Risk of injury due to incorrect use!

- ▶ Do not transport the bed equipped with Traction Frame D with patient or without patient!
- ▶ Do not adjust Reverse-Trendelenburg Tilt when the bed is equipped with the Traction Frame D Holder!
- ▶ Ensure the bed Foot Board is secured in the selected bed extension position to avoid a risk of any unintended movement of the Foot Board!
- ▶ Ensure the positioning functions are locked not to be used by a patient in the bed with the Traction Frame D!
- ▶ Remove the Traction Frame D and Traction Frame D Holder from the bed if it is not needed for treatment!
- ▶ Ensure and check regularly the fixing nodes of the Traction Frame D and of the Traction Frame D Holder. The rosette screws must be secured in intended positions!

Traction Frame D Holder for Foot Board with One Safety Lock is intended for correct placement of the Traction Frame D on the Essenza 300 bed with corner bumpers with accessory bushings.

Traction Frame D Holder for Foot Board with One Safety Lock is inserted to the accessory bushings in the corner bumpers at bed foot end.

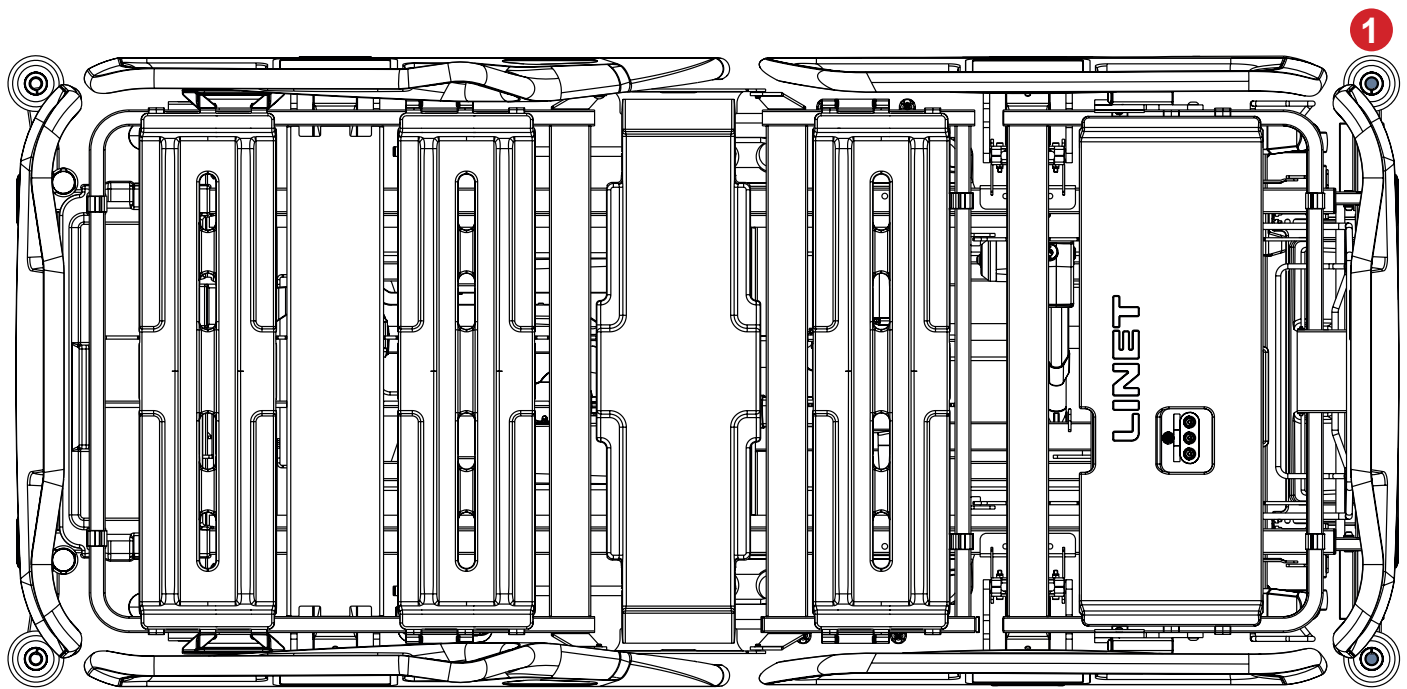


Fig. Positions of the Traction Frame D Holder for Foot Board with One Safety Lock (1) on the bed with corner bumpers with accessory bushings

To place the Traction Frame D Holder on a compatible Essenza 300 bed:

- ▶ Ensure the Traction Frame D Holder is correctly oriented so that both horizontal bars are accessible from the outer side of the bed foot end.
 - ▶ Insert both pins of the Traction Frame D Holder into the corner bumpers with accessory bushings at bed foot end.
 - ▶ Tighten both rosette screws to fix the pins.
- Correctly installed Traction Frame D Holder is leant out of the bed foot end.

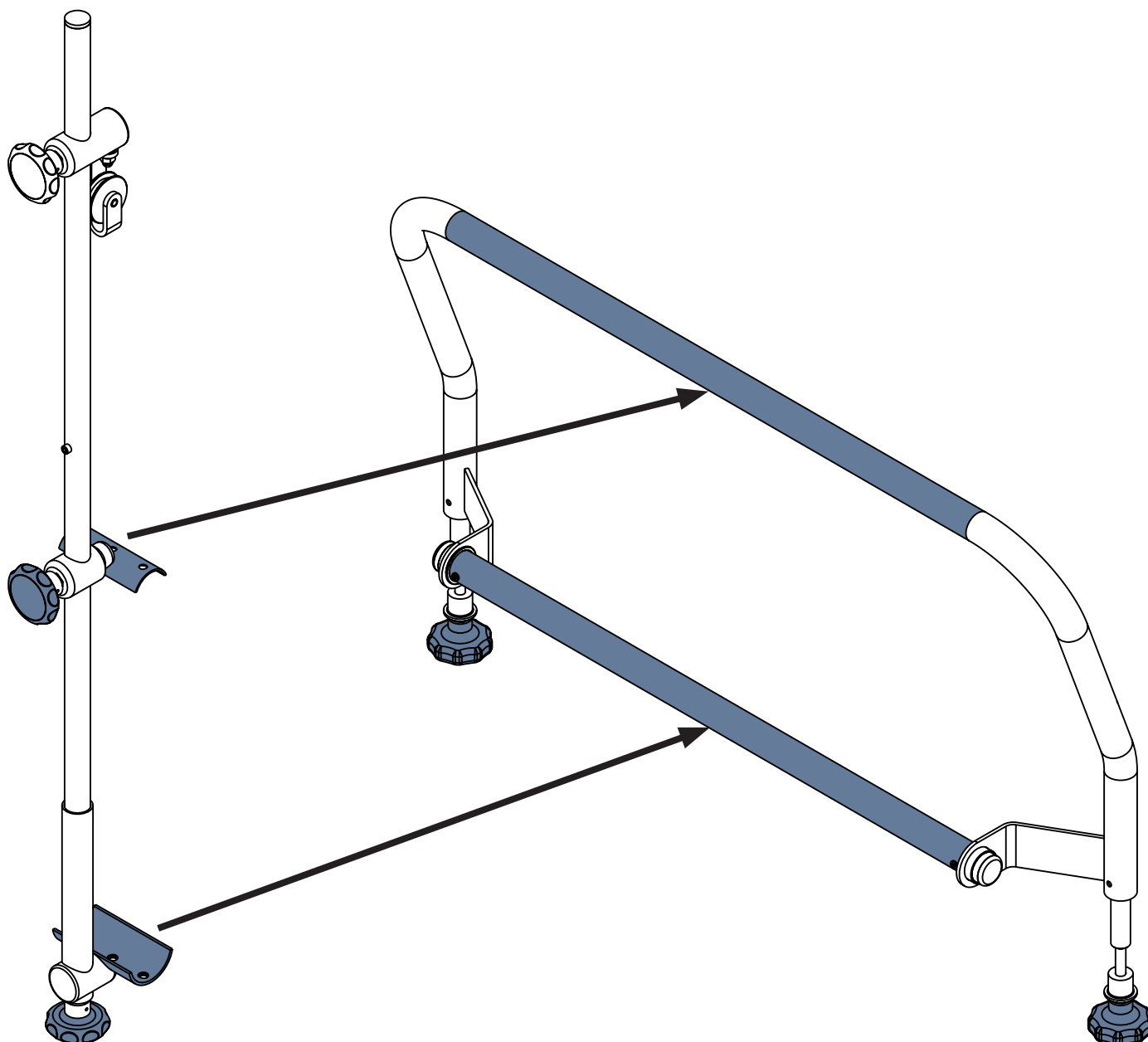


Fig. Placement of the Traction Frame D onto the Traction Frame D Holder

To place the Traction Frame D onto the Traction Frame D Holder:

- ▶ Release the lower rosette screw of the Traction Frame D.
- ▶ Fix the lower Traction Frame D part to the lower horizontal bar of the Traction Frame D Holder by the lower rosette screw of the Traction Frame D.
- ▶ Release the upper rosette screw of the Traction Frame D.
- ▶ Fix the upper Traction Frame D part to the upper horizontal bar of the Traction Frame D Holder by the upper rosette screw of the Traction Frame D.
- ▶ Ensure the selected position of the Traction Frame D is in accordance with an intended support of the patient.

4.32 Traction Frame T73



WARNING!

Read Instructions for use of the Traction Frame T73 before use of this product!



WARNING!

Risk of injury due to incorrect use!

- ▶ There must be no patient in bed when installing the Traction Frame T73!
- ▶ Avoid collisions between the Traction Frame T73 and the bed (Foot Board and Backrest) during bed positioning!
- ▶ Avoid collisions between the Traction Frame T73 and the other bed accessories!
- ▶ Do not transport the bed equipped with Traction Frame T73 with patient or without patient!
- ▶ Do not adjust Lateral Tilt when the bed is equipped with the Traction Frame T73!
- ▶ Adjust bed extension only before placement of the Traction Frame T73 into the bed!
- ▶ Ensure the positioning functions are locked not to be used by a patient in the bed with the Traction Frame T73!
- ▶ Respect the Safe Working Load of the bed, of the Traction Frame T73 and of its hooks, pulleys or handles!
- ▶ Remove the Traction Frame T73 from the bed if it is not needed for treatment!
- ▶ Ensure and check regularly the fixing nodes of the Traction Frame T73 are secured in intended positions!

Intended Use

Traction Frame T73 is a supporting construction intended for fixation, traction and relief of limbs, spine and pelvis. Traction Frame T73 is intended for orthopaedic department, surgery department, traumatologic department and for ICU.

Placement

Traction Frame Z is inserted to the bushings for Lifting Pole at bed head end and to the accessory bushings in the corner bumpers at foot end of the Essenza 300 bed with corner bumpers with accessory bushings.

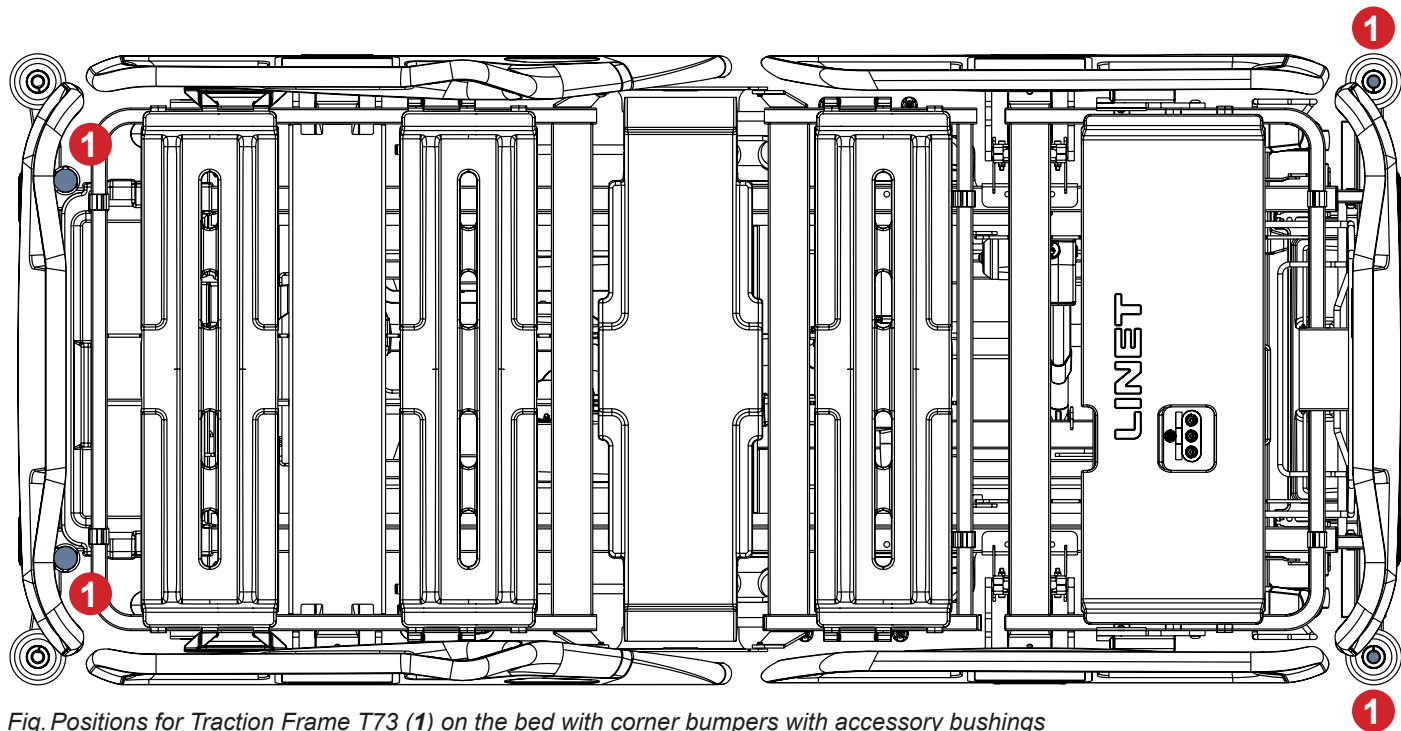


Fig. Positions for Traction Frame T73 (1) on the bed with corner bumpers with accessory bushings

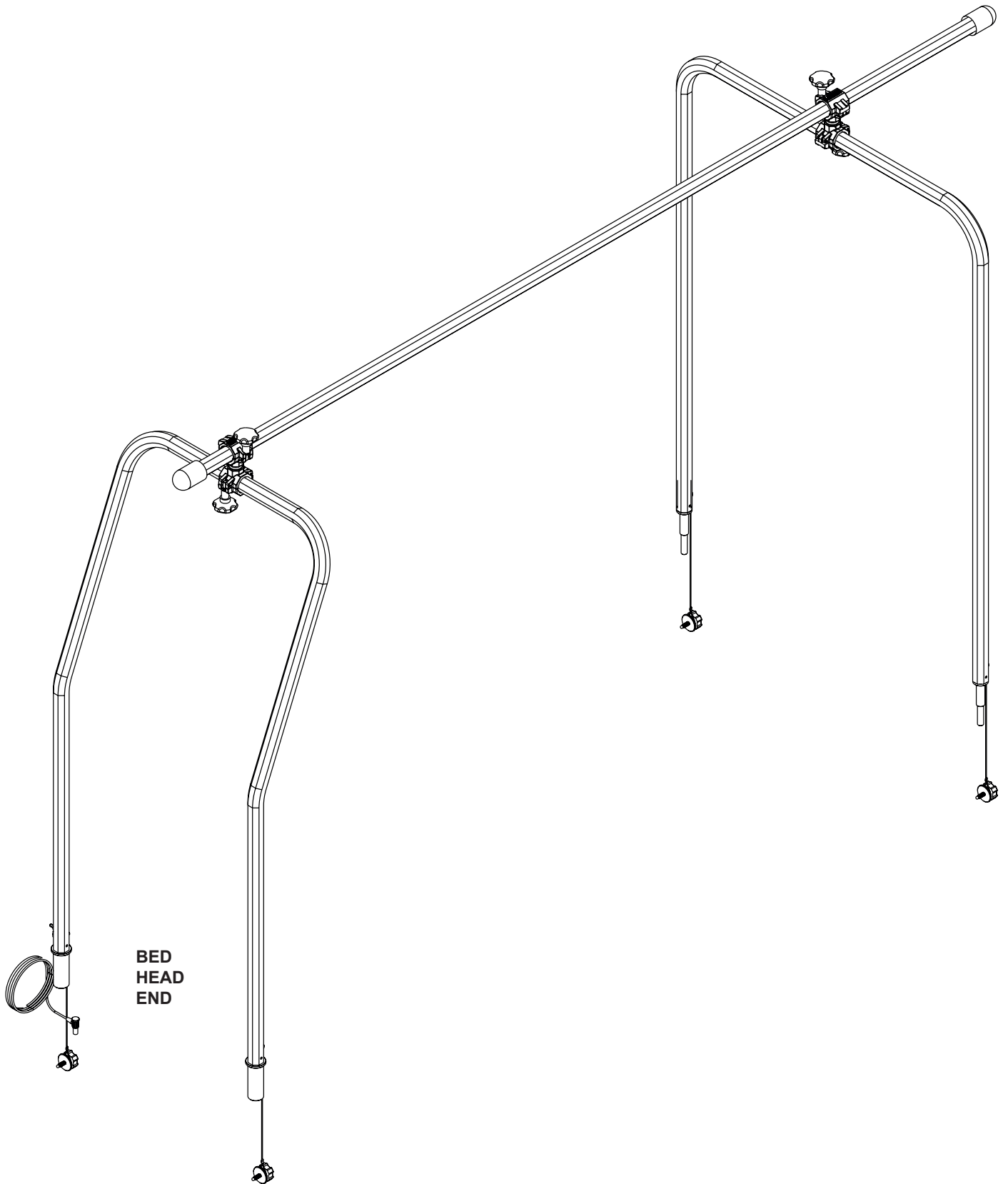


Fig. Traction frame T73

4.33 Traction Frame T74



WARNING!

Read Instructions for use of the Traction Frame T74 before use of this product!



WARNING!

Risk of injury due to incorrect use!

- ▶ There must be no patient in bed when installing the Traction Frame T74!
- ▶ Avoid collisions between the Traction Frame T74 and the bed (Foot Board and Backrest) during bed positioning!
- ▶ Avoid collisions between the Traction Frame T74 and the other bed accessories!
- ▶ Do not transport the bed equipped with Traction Frame T74 with patient or without patient!
- ▶ Do not adjust Lateral Tilt when the bed is equipped with the Traction Frame T74!
- ▶ Adjust bed extension only before placement of the Traction Frame T74 into the bed!
- ▶ Ensure the positioning functions are locked not to be used by a patient in the bed with the Traction Frame T74!
- ▶ Respect the Safe Working Load of the bed, of the Traction Frame T74 and of its hooks, pulleys and handles!
- ▶ Remove the Traction Frame T74 from the bed if it is not needed for treatment!
- ▶ Ensure and check regularly the fixing nodes of the Traction Frame T74 are secured in intended positions!

Intended Use

Traction Frame T74 is a supporting construction intended for fixation, traction and relief of limbs, spine and pelvis. Traction Frame T74 is intended for orthopaedic department, surgery department, traumatologic department and for ICU.

Placement

Traction Frame T74 is inserted to the bushings for Lifting Pole at bed head end and to the bushings for accessories at foot end of the Essenza 300 bed with corner bumpers without accessory bushings.

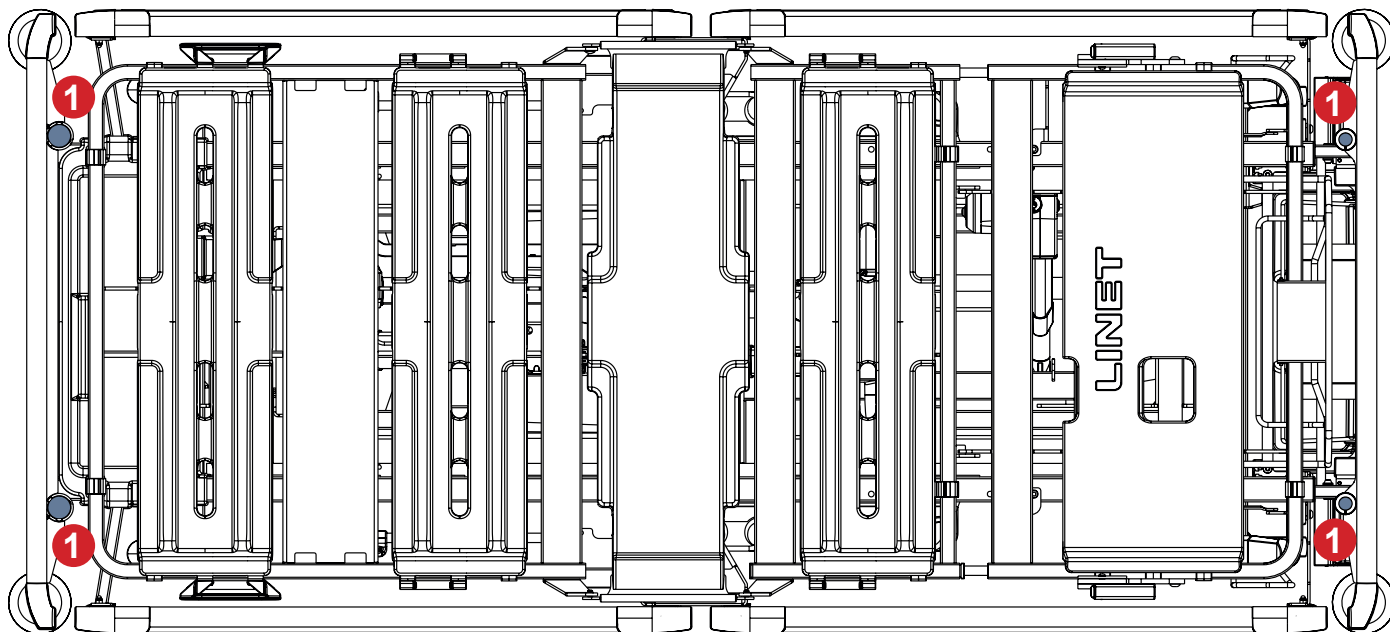


Fig. Positions for Traction Frame T74 (1) on the bed with corner bumpers without accessory bushings

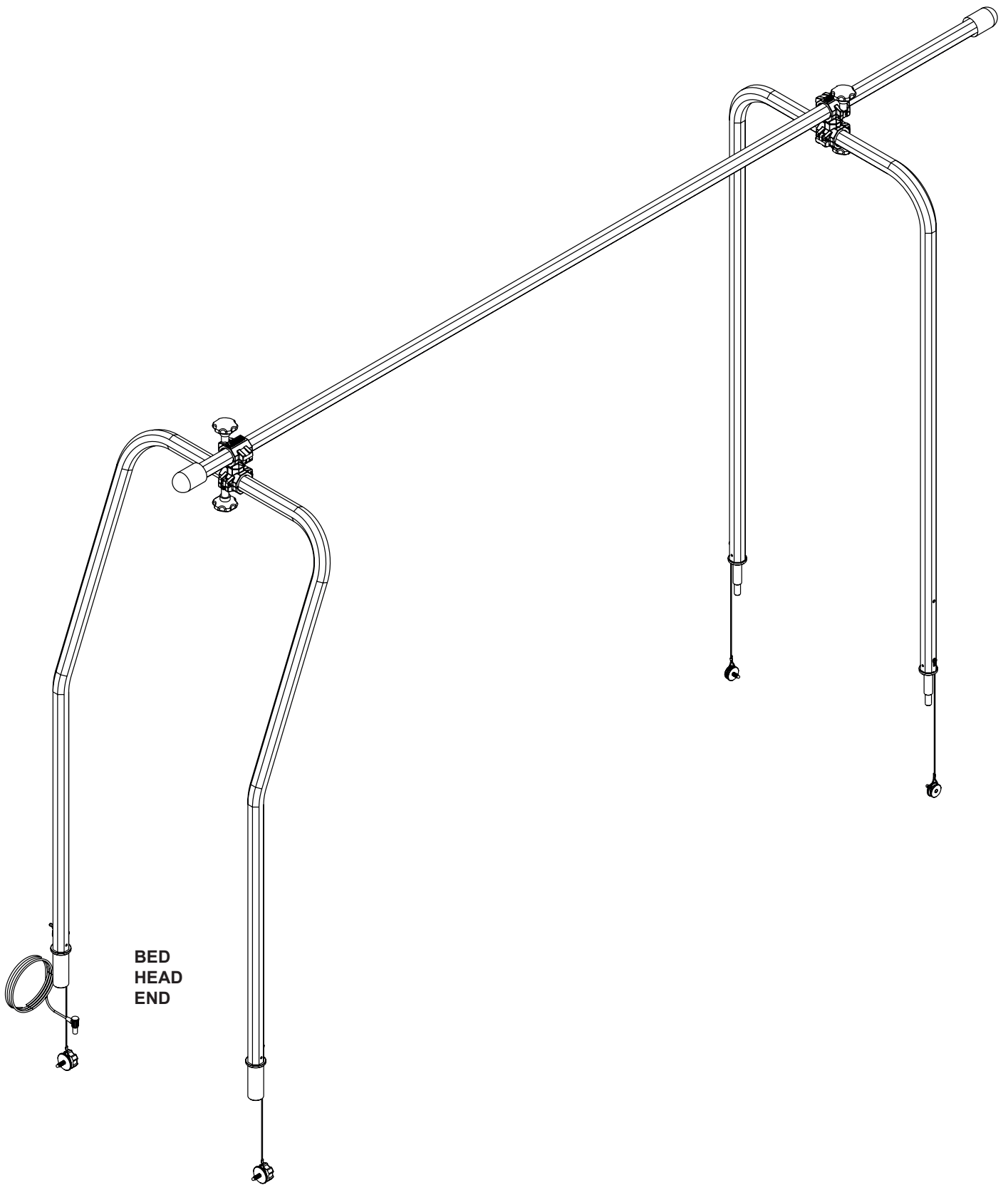


Fig. Traction frame T74

4.34 Partial Traction Frame MP for Foot Board with One Safety Lock



WARNING!

Read Instructions for use of the Partial Traction Frame MP for Foot Board with One Safety Lock (MP Essenza 300 S0002789 - Partial assembling) before use of this product!



WARNING!

Risk of injury due to incorrect use!

- ▶ Avoid collisions between the Partial Traction Frame MP and the other bed accessories!
- ▶ Do not transport the bed equipped with Partial Traction Frame MP with patient or without patient!
- ▶ Do not adjust Lateral Tilt when the bed is equipped with the Partial Traction Frame MP!
- ▶ Adjust bed extension only before placement of the Partial Traction Frame MP into the bed!
- ▶ Ensure the positioning functions are locked not to be used by a patient in the bed with the Partial Traction Frame MP!
- ▶ Respect the Safe Working Load of the bed and of the Partial Traction Frame MP!
- ▶ Remove the Partial Traction Frame MP from the bed if it is not needed for treatment!
- ▶ Ensure and check regularly the fixing nodes of the Partial Traction Frame MP are secured in intended positions!

Intended Use

Partial Traction Frame MP for Foot Board with One Safety Lock is a supporting construction intended for fixation, traction and relief of limbs, spine and pelvis.

Partial Traction Frame MP for Foot Board with One Safety Lock is intended for orthopaedic department, surgery department, traumatologic department and for ICU.

Placement

Partial Traction Frame MP for Foot Board with One Safety Lock is inserted to the accessory bushings in the corner bumpers at foot end of the Essenza 300 bed with corner bumpers with accessory bushings.

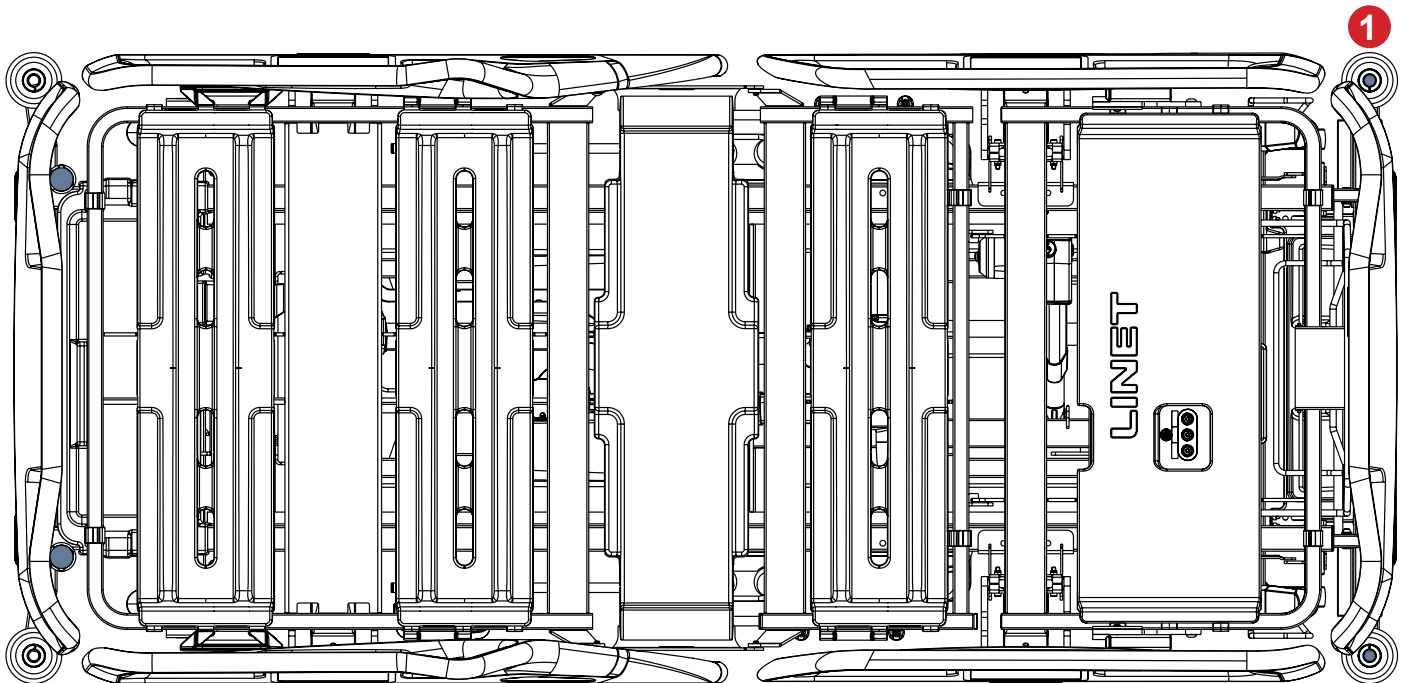
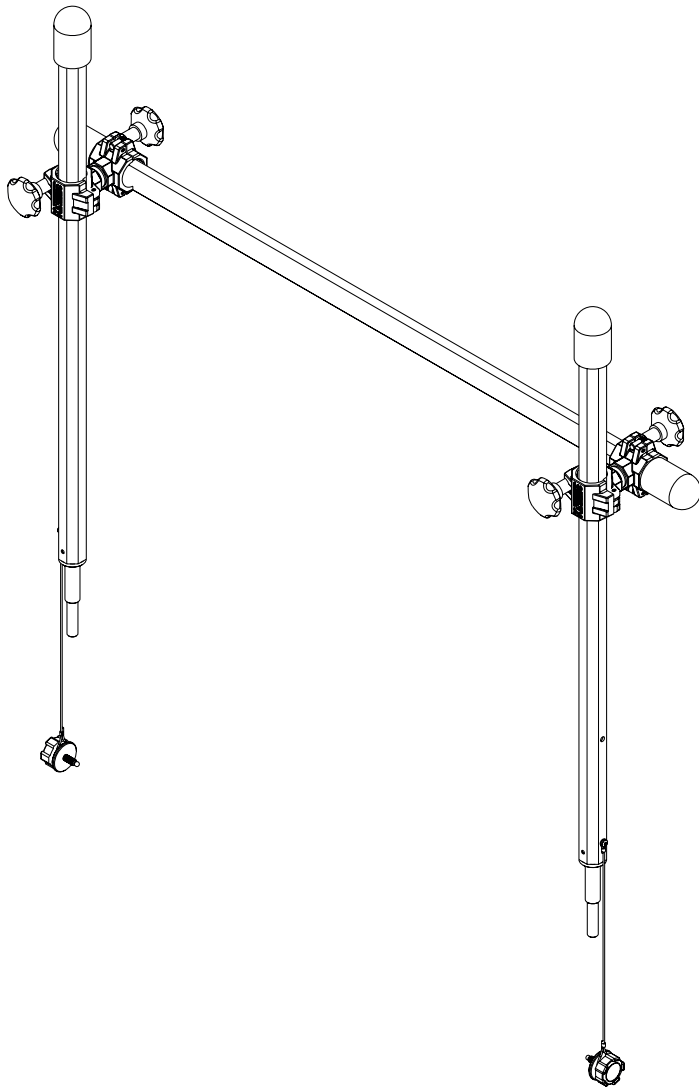


Fig. Positions for Partial Traction Frame MP for Foot Board with One Safety Lock (1) on the bed with corner bumpers with accessory bushings



To place the Partial Traction Frame MP for Foot Board with one Safety Lock at bed foot end:

- ▶ Ensure the Partial Traction Frame MP is correctly oriented so that the horizontal bar is fixed before the both vertical bars on the outer side of the bed foot end.
- ▶ Insert both pins of the Partial Traction Frame MP into the corner bumpers with accessory bushings at bed foot end.
- ▶ Tighten both rosette screws to fix the pins.

Fig. Partial Traction Frame MP for Foot Board with One Safety Lock

4.35 Partial Traction Frame MP for Foot Board with Two Safety Locks



WARNING!

Read Instructions for use of the Partial Traction Frame MP for Foot Board with Two Safety Locks (MP Essenza 300 S0002790 - Partial assembling) before use of this product!



WARNING!

Risk of injury due to incorrect use!

- ▶ Avoid collisions between the Partial Traction Frame MP and the other bed accessories!
- ▶ Do not transport the bed equipped with Partial Traction Frame MP with patient or without patient!
- ▶ Do not adjust Lateral Tilt when the bed is equipped with the Partial Traction Frame MP!
- ▶ Adjust bed extension only before placement of the Partial Traction Frame MP into the bed!
- ▶ Ensure the positioning functions are locked not to be used by a patient in the bed with the Partial Traction Frame MP!
- ▶ Respect the Safe Working Load of the bed and of the Partial Traction Frame MP!
- ▶ Remove the Partial Traction Frame MP from the bed if it is not needed for treatment!
- ▶ Ensure and check regularly the fixing nodes of the Partial Traction Frame MP are secured in intended positions!

Intended Use

Partial Traction Frame MP for Foot Board with Two Safety Locks is a supporting construction intended for fixation, traction and relief of limbs, spine and pelvis.

Partial Traction Frame MP for Foot Board with Two Safety Locks is intended for orthopaedic department, surgery department, traumatologic department and for ICU.

Placement

Partial Traction Frame MP for Foot Board with Two Safety Locks is inserted to the bushings for accessories at foot end of the Essenza 300 bed with corner bumpers without accessory bushings.

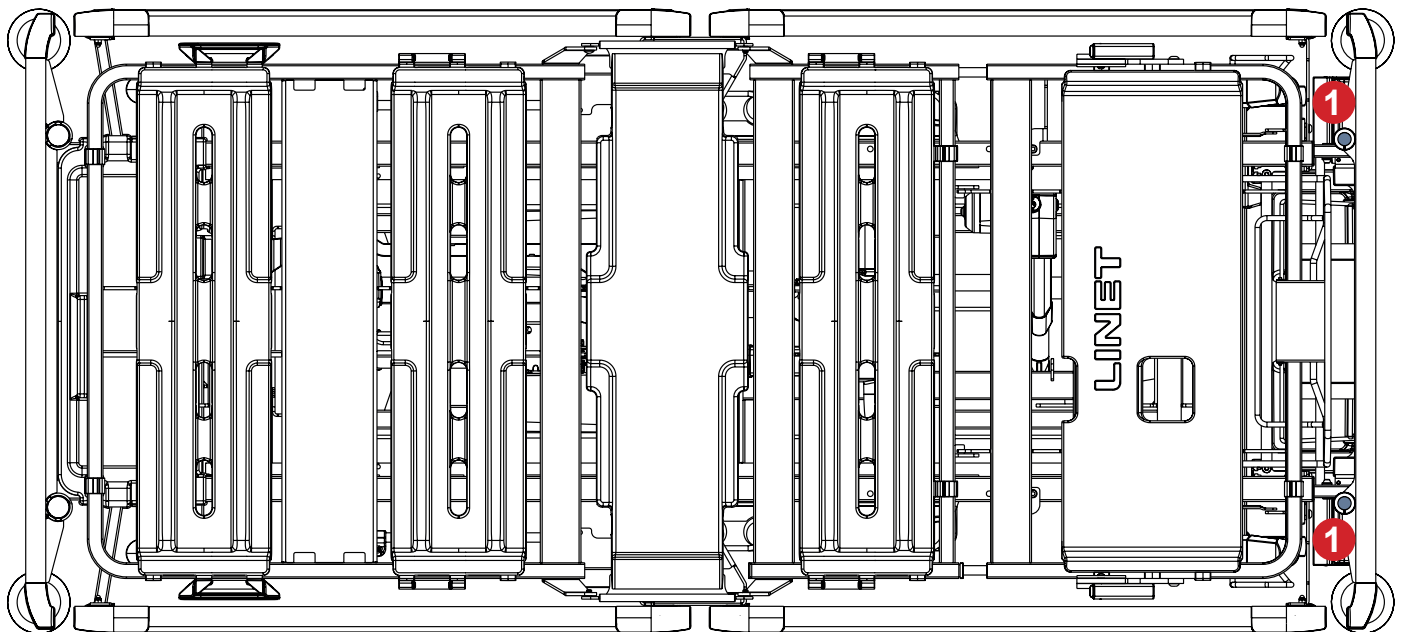
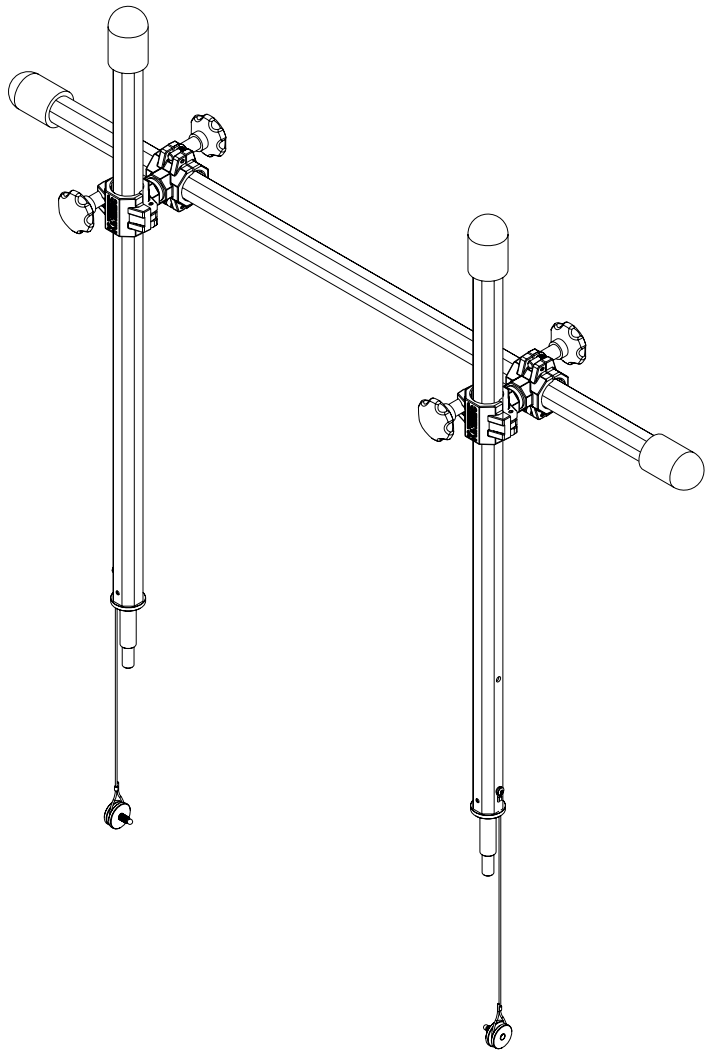


Fig. Positions for Partial Traction Frame MP for Foot Board with Two Safety Locks (1) on the bed with corner bumpers without accessory bushings



To place the Partial Traction Frame MP for Foot Board with Two Safety Locks at bed foot end:

- ▶ Ensure the Partial Traction Frame MP is correctly oriented so that the horizontal bar is fixed before the both vertical bars on the outer side of the bed foot end.
- ▶ Insert both pins of the Partial Traction Frame MP into the bushings for accessories at bed foot end.
- ▶ Tighten both rosette screws to fix the pins.

Fig. Partial Traction Frame MP for Foot Board with Two Safety Locks

4.36 Cross Infusion Pump Holder



WARNING!

Risk of injury due to incorrect use!

- ▶ Ensure and check regularly the fixing nodes of the Cross Infusion Pump Holder are secured in intended positions!
- ▶ Avoid collisions between the Cross Infusion Pump Holder and the other bed accessories!
- ▶ Do not overtighten the infusion pump clamps during installation. Overtightening may damage the Cross Infusion Pump Holder.
- ▶ Infusion pump can only be used if the Cross Infusion Pump Holder is fitted into a bushing at head end of the mattress support platform and the infusion pump is correctly attached to the Cross Infusion Pump Holder.
- ▶ Do not use the Cross Infusion Pump Holder as driving or pushing device during the bed transport.
- ▶ Ensure the Cross Infusion Pump Holder will not collide with any movable parts of the bed (especially bed Backrest) or with the patient. This must be verified during installation.

Cross Infusion Pump Holder is intended for holding a compatible infusion pump. Cross Infusion Pump Holder must be placed into a bushing for Lifting Pole at bed head end.

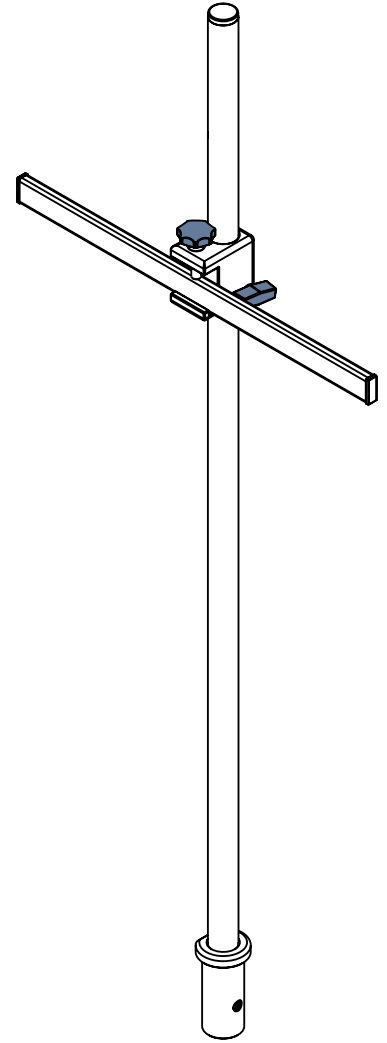


Fig. Cross Infusion Pump Holder

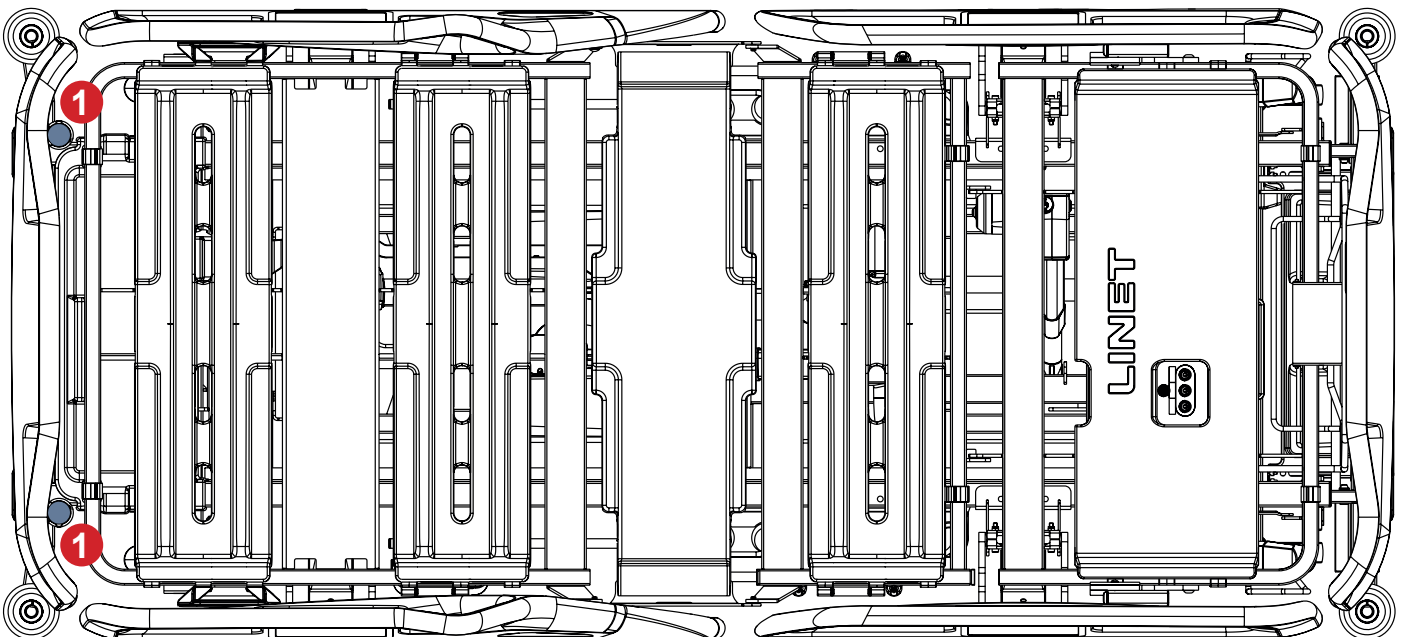


Fig. Bushings for the Cross Infusion Pump Holder (1)

5 Disposal

5.1 Environment Protection

The company LINET® is aware of the importance of environmental protection for future generations. Within this company the environmental management system is applied in accordance with the internationally agreed standard ISO 14001. The compliance with this standard is annually tested by the external audit executed by an authorised company. Based on the **WEEE** - Waste, Electric and Electronic Equipments Directive the company LINET, s. r. o. is registered in the List of Electric and Electronic Equipment Producers (**Seznam výrobců elektrozařízení**) on the Ministry of the Environment of the Czech Republic (Ministerstvo životního prostředí).

Materials used in this product and in the LINET® accessories are not environmentally hazardous. LINET® products and LINET® accessories meet valid requirements of national and European legislation in the areas of **RoHS** and **REACH**, so they do not contain any prohibited substances in excess quantities. None of the wooden parts is made of tropical wood (such as mahogany, rosewood, ebony, teak etc.) or made of timber from the Amazon region or from similar rainforests. Product noise (sound pressure level) meets requirements of the regulations for the protection of public health against undesirable effects of noise and vibration in protected interior spaces of buildings. Used packaging materials are in accordance with requirements of the Packaging Act (**Zákon o obalech**). For disposal of packaging materials after installation of products contact your sales representative or manufacturer's customer service about the possibility of a free take-back of packaging through an authorized company (more details on www.linnet.cz).

5.2 Disposal

Materials used in this product and in the LINET® accessories burden the environment but at the same time the whole range of these materials can be very effectively reused and recycled. Mechanical disassembly of the product and material sorting into the basic waste types (plastic, metal, wooden materials) should be performed after the end of product life. The main objective of the obligations arising from the European Directive on Waste, Electric and Electronic Equipments is to increase the re-use, material recovery and recovery of electric and electronic equipment at the required level, thereby avoiding the production of waste and thereby avoiding the possible harmful effects of hazardous substances contained in electric and electronic equipment on human health and the environment. LINET® electric and electronic equipments that have a built-in battery or accumulator and LINET® accessories are designed so that the used batteries or accumulators can be safely removed by LINET® qualified service technicians. There is an information about its type on the built-in battery or accumulator.

5.2.1 Within Europe

To dispose of the electric and electronic equipment including LINET® accessories:

- ▶ The electric and electronic equipment must not be disposed of as household waste.
- ▶ Dispose of this equipment at designated collection points or take-back points.
- ▶ Dispose of the product or its components or its accessories in accordance with local laws and regulations!
- ▶ Hire an approved waste disposal company for disposal!

To dispose of the other equipment including LINET® accessories:

- ▶ The equipment must not be disposed of as household waste.
- ▶ Dispose of this equipment at designated collection points or take-back points.

LINET® participates in a collective system with take-back company REMA System (see www.remasystem.cz/sberna-mista/). By bringing electric and electronic equipment to a take-back point, you participate in recycling and you save primary raw material resources while protecting your environment from effects of unprofessional disposal.

5.2.2 Outside Europe

- ▶ Dispose of the product or its components or its accessories in accordance with local laws and regulations!
- ▶ Hire an approved waste disposal company for disposal!